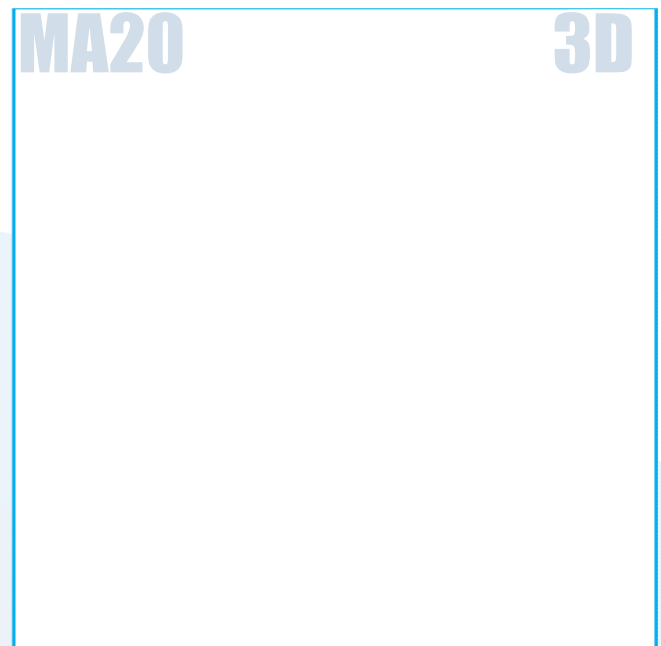
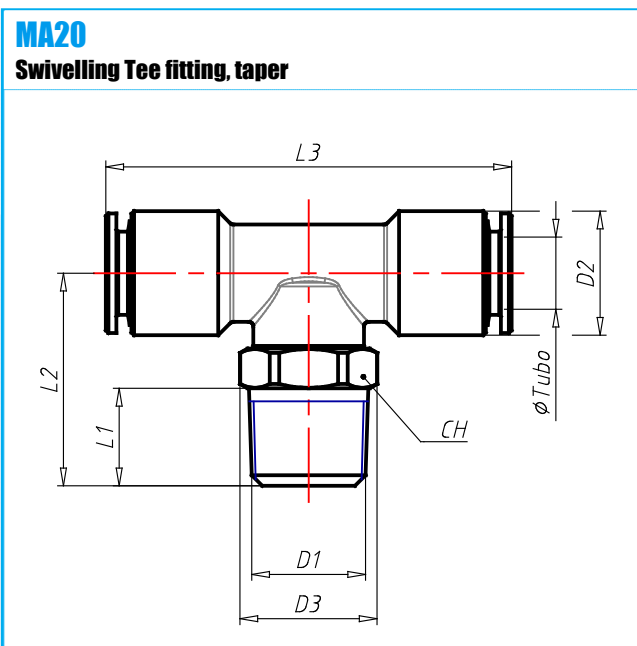


Material: Brass Nickel Plated
Working Temperature: -20 ÷ 70 C°
Working Temperature: F°
Working Pressure (max): 18 bar
Working Pressure (max): psi
Vacuum: -99 kPa
Vacuum: Hg
Conformity: Silicone Free

Conformity: RoHS
Conformity:
Conformity:
Conformity:
Application Pneumatic circuits



CODE	TYPE	TUBO	D1	D2	D3	L1	L2	L3	CH	G
A0100011	MA20 04 18	4	R1/8	9	14.5	7.5	20.0	39	13	21.5
A0100012	MA20 04 14	4	R1/4	9	15.5	11.0	24.0	39	14	25.6
A0100031	MA20 06 18	6	R1/8	12	14.5	7.5	20.0	44	13	26.3
A0100032	MA20 06 14	6	R1/4	12	15.5	11.0	24.0	44	14	30.4
A0100041	MA20 08 18	8	R1/8	14	14.5	7.5	20.0	45	13	31.1
A0100042	MA20 08 14	8	R1/4	14	15.5	11.0	24.0	45	14	35.3
A0100043	MA20 08 38	8	R3/8	14	20.0	11.5	27.0	46	18	49.1
A0100052	MA20 10 14	10	R1/4	16	20.0	11.0	26.5	49	18	50
A0100053	MA20 10 38	10	R3/8	16	20.0	11.5	27.0	49	18	51.6
A0100063	MA20 12 38	12	R3/8	19	22.5	11.5	30.5	57	20	80
A0100064	MA20 12 12	12	R1/2	19	24.5	14.0	33.5	57	22	83.5