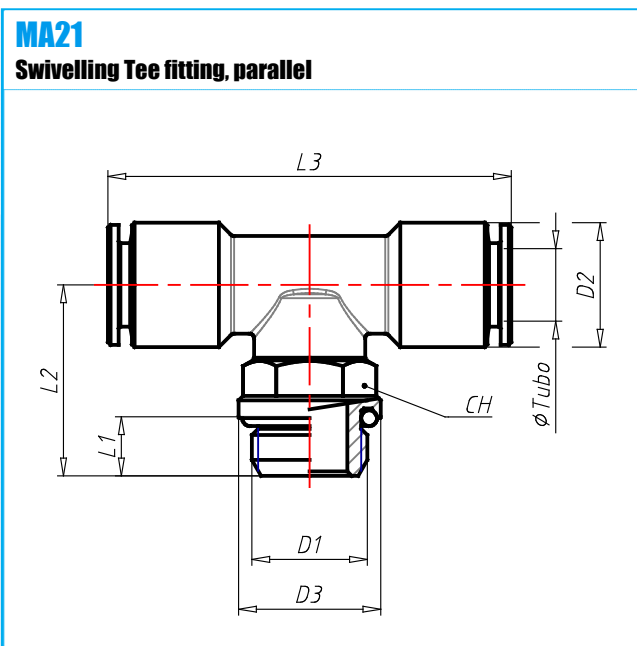


**Material:** Brass Nickel Plated  
**Working Temperature:** -20 ÷ 70 C°  
**Working Temperature:** F°  
**Working Pressure (max):** 18 bar  
**Working Pressure (max):** psi  
**Vacuum:** -99 kPa  
**Vacuum:** Hg  
**Conformity:** Silicone Free

**Conformity:** RoHS  
**Conformity:**  
**Conformity:**  
**Conformity:**  
**Application** Pneumatic circuits



CODE	TYPE	TUBO	D1	D2	D3	L1	L2	L3	CH	G
A0110011	MA21 04 18	4	G1/8	9	14.5	5.0	18.0	39	13	20.2
A0110012	MA21 04 14	4	G1/4	9	16.0	6.5	21.5	39	13	23.9
A0110031	MA21 06 18	6	G1/8	12	14.5	5.0	18.0	44	13	25.2
A0110032	MA21 06 14	6	G1/4	12	16.0	6.5	21.5	44	13	29.1
A0110041	MA21 08 18	8	G1/8	14	14.5	5.0	18.0	45	13	30.7
A0110042	MA21 08 14	8	G1/4	14	16.0	6.5	21.5	45	13	33.6
A0110043	MA21 08 38	8	G3/8	14	20.0	7.0	25.5	46	16	46.4
A0110052	MA21 10 14	10	G1/4	16	16.0	6.5	22.0	49	16	44.4
A0110053	MA21 10 38	10	G3/8	16	20.0	7.0	25.5	49	16	49.7
A0110063	MA21 12 38	12	G3/8	19	20.0	7.0	26.0	57	20	75.3
A0110064	MA21 12 12	12	G1/2	19	25.0	8.5	30.5	57	20	82.0