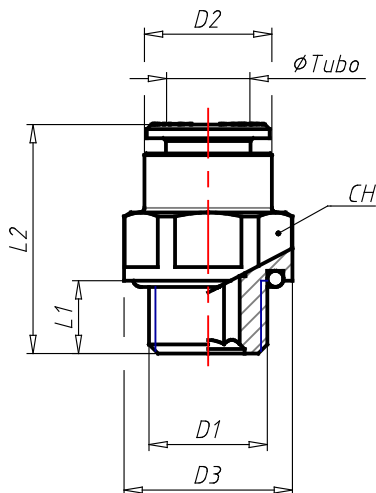


Material: Acetal Resin
Working Temperature: -20 ÷ 70 C°
Working Temperature: F°
Working Pressure (max): 16 bar
Working Pressure (max): psi
Vacuum: -99 kPa
Vacuum: Hg
Conformity: Silicone Free

Conformity: RoHS
Conformity:
Conformity:
Conformity:
Application Pneumatic circuits

MB12
Parallel Straight, male



MB12

3D

CODE	TYPE	TUBO	D1	D2	D3	L1	L2	CH	G
B0020011	MB12 04 18	4	G1/8	9.7	15.5	6	20.5	14	2.32
B0020031	MB12 06 18	6	G1/8	12.0	15.5	6	24.0	14	2.65
B0020032	MB12 06 14	6	G1/4	12.0	18.5	8	26.0	17	4.08
B0020041	MB12 08 18	8	G1/8	14.0	15.5	6	25.5	14	2.88
B0020042	MB12 08 14	8	G1/4	14.0	18.5	8	25.0	17	3.80
B0020043	MB12 08 38	8	G3/8	14.0	23.5	9	27.0	21	5.90
B0020052	MB12 10 14	10	G1/4	16.0	18.5	8	27.5	17	3.96
B0020053	MB12 10 38	10	G3/8	16.0	23.5	9	27.5	21	6.20