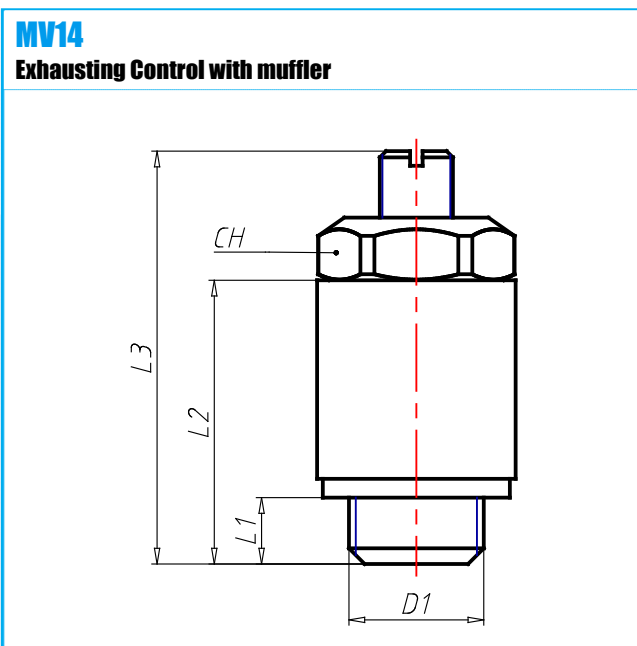


Material: Brass Nickel Plated
Working Temperature: -10 ÷ 70 C°
Working Temperature: F°
Working Pressure (max): 0 ÷ 10 bar
Working Pressure (max): psi
Vacuum: kPa
Vacuum: Hg
Conformity:

Conformity:
Conformity:
Conformity:
Conformity:
Application Pneumatic installations fed with filtered, lubricated air



CODE	TIPO	D1	L1	L2MAX	CH	G	CONF
04040B00	MV14 00 M5	M5x0,8	4.0	25	8	6	RoHS
04040B01	MV14 00 18	G1/8	5.0	32	14	28	RoHS
04040B02	MV14 00 14	G1/4	6.5	40	17	52	RoHS
04040B03	MV14 00 38	G3/8	7.0	50	20	90	RoHS