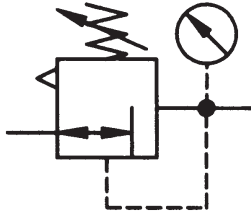
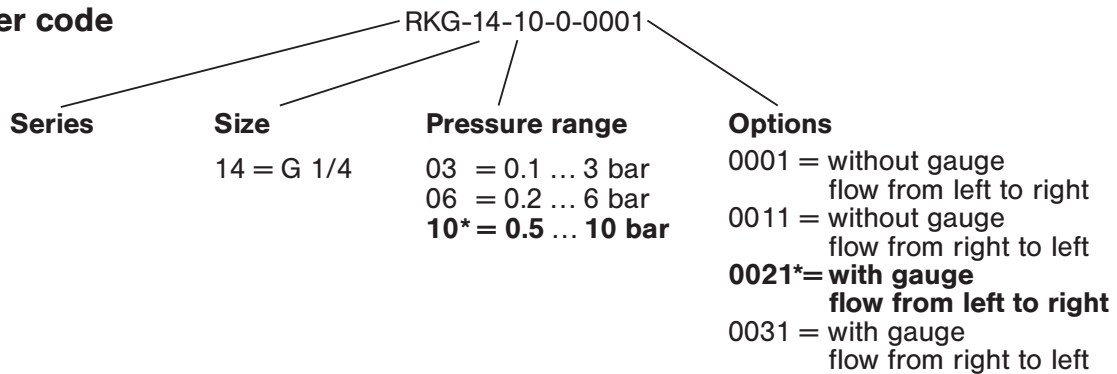


Technical data for series

RKG



Order code



Design and function

Pressure regulator with diaphragm and relieving feature. The outlet pressure of the regulator remains constant regardless of incoming pressure changes.

The components of series K can easily be connected by using the coupling kit KPK-00.

For additional accessories see pages 11.032 and 11.033.

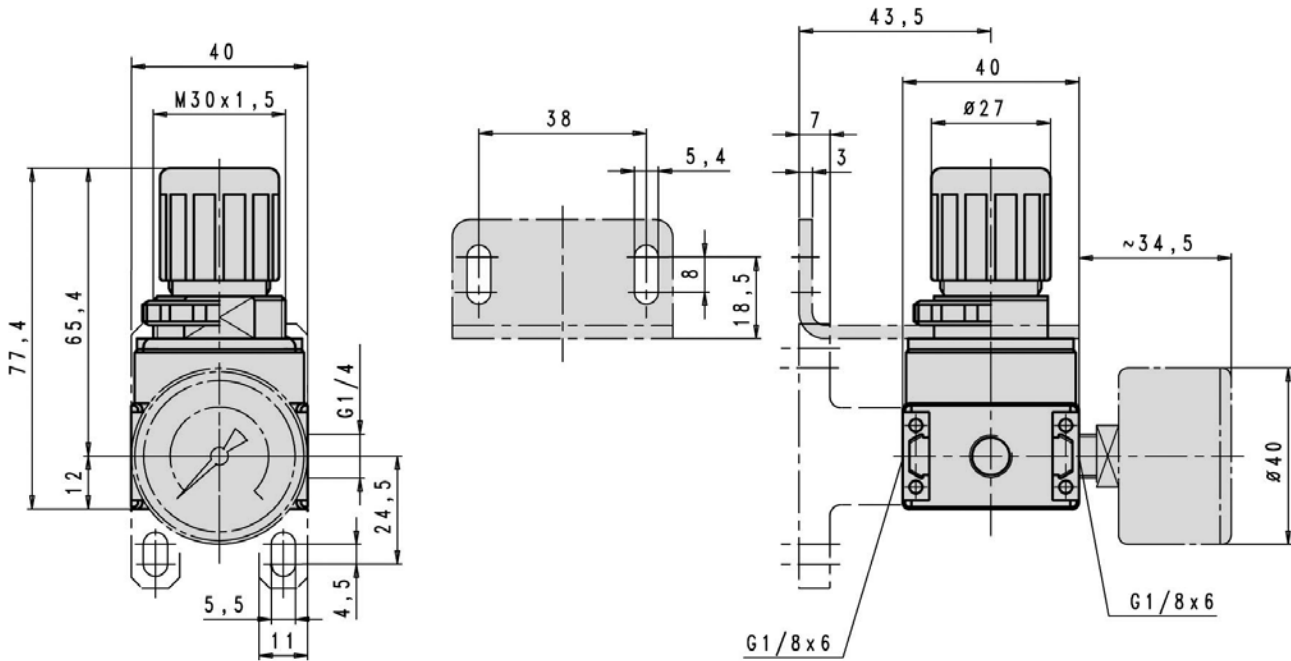
Order number	RKG-14-03-5-1221	RKG-14-06-5-1221	RKG-14-10-5-1221*
Connection	G 1/4		
Mounting	arbitrary		
Input range	max. 16 bar (max. 232 psi)		
Ausgangsdruck	0,1 ... 3 bar (1.5 ... 43 psi)	0,2 ... 6 bar (3 ... 87 psi)	0,5 ... 10 bar (7 ... 145 psi)
Flow rate	890 NI/min. (0.904 Cv)		
Temperature range	0 °C ... + 60 °C (+ 32 °F ... + 140 °F)		
Materials	Housing: Grivory (PA 66)		
Weight without pressure gauge*	0.100 kg (0.220 lb.)		

* = standard type

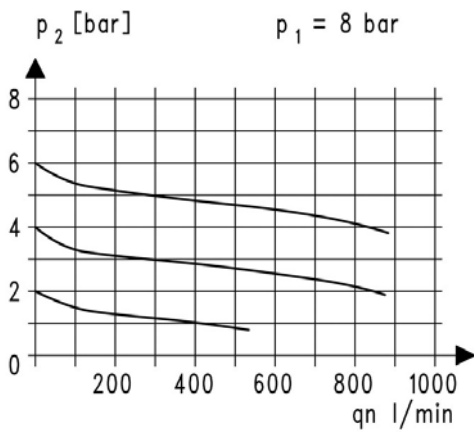
Dimensions for series

RKG

RKG-14



Flow rate: RKG-14



Pressure characteristic

