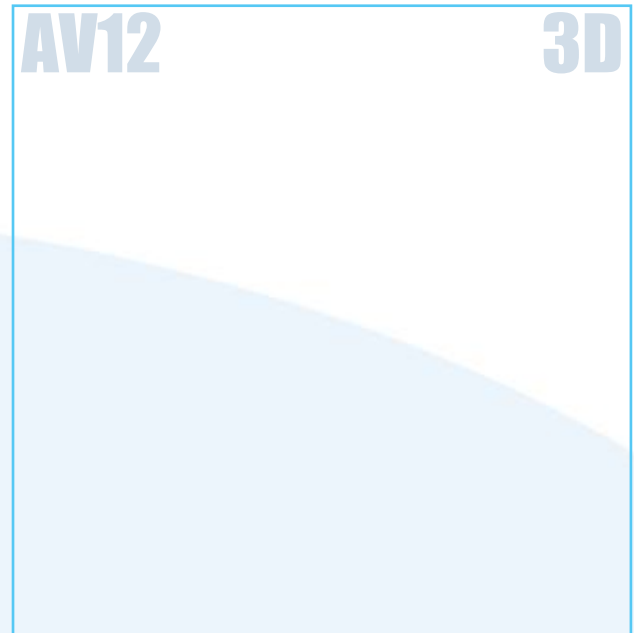
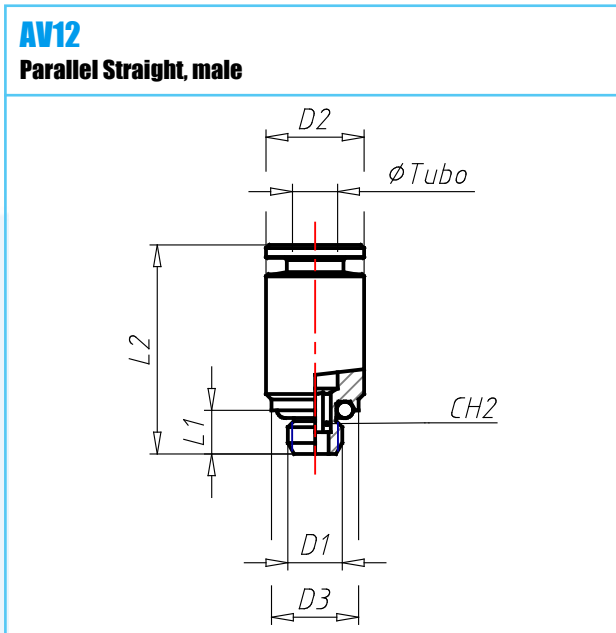


Material: Brass chemical Nickel Plated
Working Temperature: -20 ÷ 150 C°
Working Temperature: -4 ÷ 302 F°
Working Pressure (max): 20 bar
Working Pressure (max): 290 psi
Vacuum: -99 kPa
Vacuum: 29" Hg
Conformity: Silicone Free

Conformity: RoHS
Conformity:
Conformity:
Conformity:
Application Pneumatic circuits



CODE	TYPE	DTUBO	D1	D2	D2IN	D3	D3IN	L1	L1IN	L2	L2IN	CH1	CH2	G	GOZ	WTF	WPP	TVH
AV020010	AV12 04 M5	4	M5x0,8	9.0	.354	8.0	.315	4.0	.157	19.0	.748	-	2.5	4.0	.141	-4 ÷ 302	290	29"
AV020011	AV12 04 18	4	G1/8	9.0	.354	13.0	.512	5.0	.197	16.5	.650	9	3.0	6.0	.212	-4 ÷ 302	290	29"
AV020012	AV12 04 14	4	G1/4	9.0	.354	16.0	.630	6.5	.256	18.5	.728	9	3.0	12.0	.423	-4 ÷ 302	290	29"
AV020030	AV12 06 M5	6	M5x0,8	12.0	.472	8.0	.315	4.0	.157	22.2	.874	-	2.5	8.5	.300	-4 ÷ 302	290	29"
AV020031	AV12 06 18	6	G1/8	11.9	.469	13.5	.531	5.0	.197	19.5	.768	12	4.0	9.0	.317	-4 ÷ 302	290	29"
AV020032	AV12 06 14	6	G1/4	11.9	.469	16.0	.630	6.5	.256	19.5	.768	12	4.0	12.5	.441	-4 ÷ 302	290	29"
AV020041	AV12 08 18	8	G1/8	13.9	.547	14.5	.571	5.0	.197	23.5	.925	13	6.0	11.0	.388	-4 ÷ 302	290	29"
AV020042	AV12 08 14	8	G1/4	13.9	.547	16.0	.630	6.5	.256	21.5	.846	14	6.0	14.0	.494	-4 ÷ 302	290	29"
AV020043	AV12 08 38	8	G3/8	13.9	.547	20.0	.787	7.0	.276	21.0	.827	14	6.0	20.0	.705	-4 ÷ 302	290	29"
AV020052	AV12 10 14	10	G1/4	15.9	.626	16.0	.630	6.5	.256	27.5	1.083	15	8.0	18.0	.635	-4 ÷ 302	290	29"
AV020053	AV12 10 38	10	G3/8	15.9	.626	20.0	.787	7.0	.276	25.0	.984	16	8.0	23.0	.811	-4 ÷ 302	290	29"
AV020054	AV12 10 12	10	G1/2	15.9	.626	25.0	.984	8.5	.335	25.5	1.004	16	8.0	34.5	1.217	-4 ÷ 302	290	29"
AV020062	AV12 12 14	12	G1/4	18.9	.744	21.0	.827	6.5	.256	28.5	1.122	19	8.0	22.0	.776	-4 ÷ 302	290	29"

AV020063	AV12 12 38	12	G3/8	18.9	.744	21.0	.827	7.0	.276	28.5	1.122	19	10.0	26.0	.917	-4 ÷ 302	290	29"
AV020064	AV12 12 12	12	G1/2	18.9	.744	25.0	.984	8.5	.335	26.5	1.043	19	10.0	33.0	1.164	-4 ÷ 302	290	29"