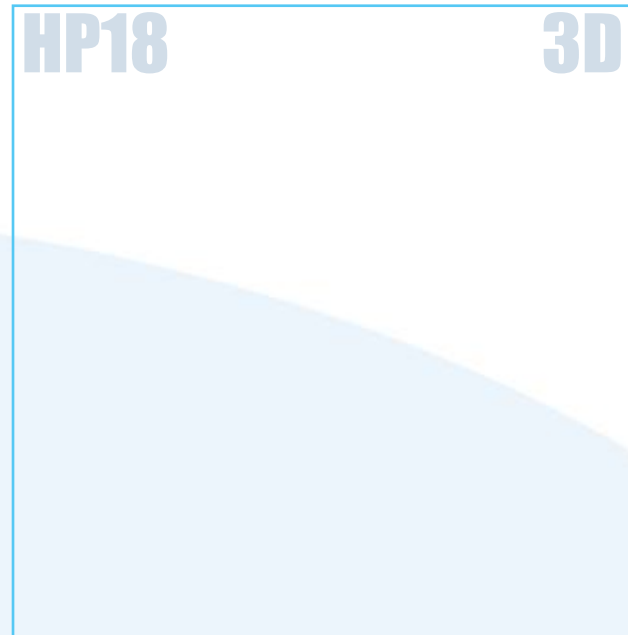
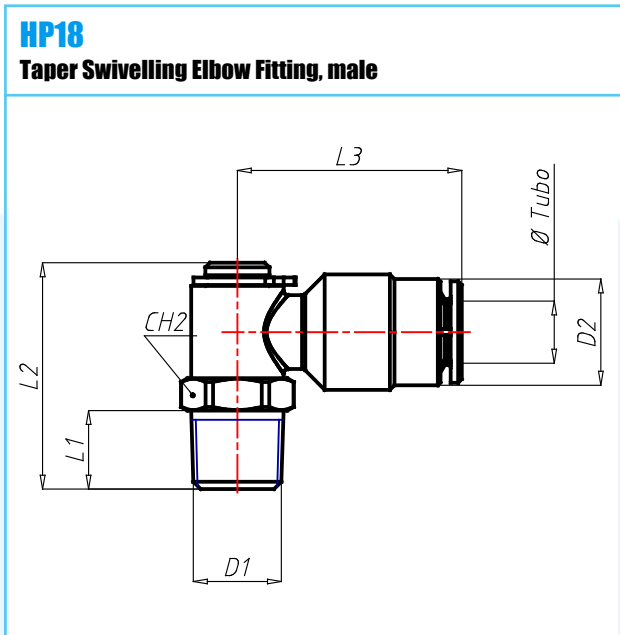


Material: Brass Nickel Plated
Working Temperature: -20 ÷ 80 C°
Working Temperature: -4 ÷ 176 F°
Working Pressure (max): 250 bar
Working Pressure (max): 3626 psi
Vacuum: kPa
Vacuum: Hg
Conformity: RoHS

Conformity:
Conformity:
Conformity:
Conformity:
Application Lubrication installations



NAME	CODE	TYPE	VAR_TUBO	D1	D2	D2IN	L1	L1IN	L2	L2IN	L3	L3IN	CH	G	OZ	WTF	WPP	NN
H0080011	H0080011	HP18 04 18	4	R1/8	9,5	.374	8,5	.335	24,5	.965	22	.866	11	18,5	.653	-4 ÷ 176	3626	0
H0080031	H0080031	HP18 06 18	6	R1/8	11,5	.453	8,5	.335	24,5	.965	24	.945	11	20,2	.713	-4 ÷ 176	3626	0
H0080032	H0080032	HP18 06 14	6	R1/4	11,5	.453	11	.433	28	1.102	24	.945	14	25,5	.899	-4 ÷ 176	3626	0
H0080110	H0080110	HP18 04 M6x1	4	M6x1	9,5	.374	8	.315	24	.945	22	.866	11	16,9	.596	-4 ÷ 176	3626	0
H0080130	H0080130	HP18 06 M6x1	6	M6x1	11,5	.453	8	.315	24	.945	24	.945	11	18,6	.656	-4 ÷ 176	3626	0
H0080510	H0080510	HP18 04 M8x1	4	M8x1	9,5	.374	8	.315	24	.945	22	.866	11	17,4	.614	-4 ÷ 176	3626	0
H0080530	H0080530	HP18 06 M8x1	6	M8x1	11,5	.453	8	.315	24	.945	24	.945	11	19,5	.688	-4 ÷ 176	3626	0

H0080610	H0080610	HP18 04 M10x1	4	M10x1	9,5	.374	8	.315	25	.984	22	.866	11	18,9	.667	-4 ÷ 176	3626	0
H0080630	H0080630	HP18 06 M10x1	6	M10x1	11,5	.453	8	.315	25	.984	24	.945	11	21	.741	-4 ÷ 176	3626	0
H0080L10	H0080L10	HP18 04 M6x0,75	4	M6x0,75	9,5	.374	6	.236	22	.866	22	.866	11	16,8	.593	-4 ÷ 176	3626	0