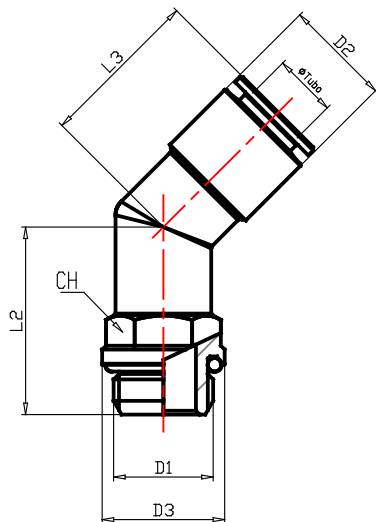


Material: Brass Nickel Plated
Working Temperature: -20 ÷ 80 C°
Working Temperature: -4 ÷ 176 F°
Working Pressure (max): 20 bar
Working Pressure (max): 290 psi
Vacuum: -99 kPa
Vacuum: 29" Hg
Conformity: Silicone Free

Conformity: RoHS
Conformity:
Conformity:
Conformity:
Application Pneumatic circuits

MA16-45

Parallel Swivelling Elbow Fitting, male 45°



MA16-45

3D

CODE	TYPE	DTUBO	D1	D2	D2IN	D3	D3IN	L1	L1IN	L2	L2IN	L3	L3IN	CH	G	OZ	WTF	WPP	TVH
A0060031-45	MA16 06 18 -45	6	G1/8	12	.472	12.8	.504	5.0	.197	21.0	.827	21	.827	13	-	-	-4 ÷ 176	290	29"
A0060032-45	MA16 06 14 -45	6	G1/4	12	.472	16.0	.630	6.5	.256	24.5	.965	21	.827	13	-	-	-4 ÷ 176	290	29"
A0060041-45	MA16 08 18 -45	8	G1/8	14	.551	12.8	.504	5.0	.197	21.0	.827	21	.827	13	-	-	-4 ÷ 176	290	29"
A0060042-45	MA16 08 14 -45	8	G1/4	14	.551	16.0	.630	6.5	.256	24.5	.965	21	.827	13	-	-	-4 ÷ 176	290	29"
A0060052-45	MA16 10 14 -45	10	G1/4	16	.630	16.0	.630	6.5	.256	23.0	.906	25	.984	13	-	-	-4 ÷ 176	290	29"
A0060053-45	MA16 10 38 -45	10	G3/8	16	.630	20.0	.787	7.0	.276	26.5	1.043	25	.984	16	-	-	-4 ÷ 176	290	29"
A0060063-45	MA16 12 38 -45	12	G3/8	20	.787	20.0	.787	7.0	.276	26.0	1.024	25	.984	16	-	-	-4 ÷ 176	290	29"
A0060064-45	MA16 12 12 -45	12	G1/2	20	.787	25.0	.984	8.5	.335	30.5	1.201	25	.984	20	-	-	-4 ÷ 176	290	29"