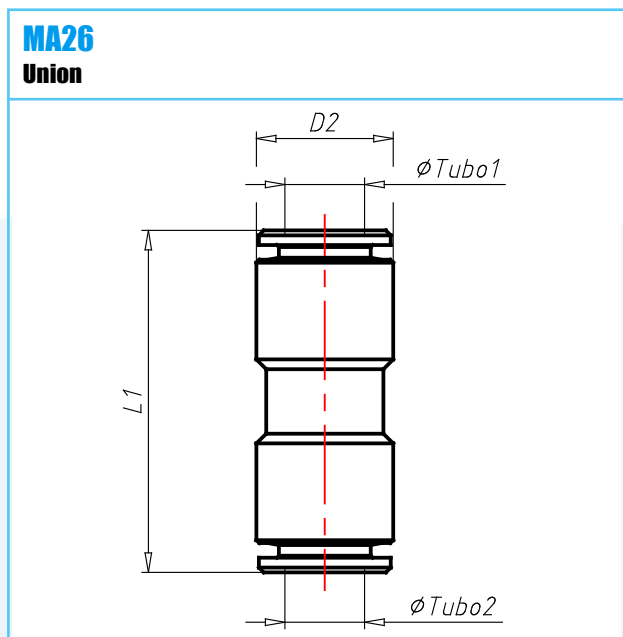


**Material:** Brass Nickel Plated  
**Working Temperature:** -20 ÷ 80 C°  
**Working Temperature:** -4 ÷ 176 F°  
**Working Pressure (max):** 20 bar  
**Working Pressure (max):** 290 psi  
**Vacuum:** -99 kPa  
**Vacuum:** 29" Hg  
**Conformity:** Silicone Free

**Conformity:** RoHS  
**Conformity:**  
**Conformity:**  
**Conformity:**  
**Application** Pneumatic circuits



CODE	TYPE	DTUBO	DTUBO2	D1	D1IN	D2	D2IN	L1	L1IN	G	OZ	WTF	WPP	TVH
A0160000	MA26 03 03	3	3	6,5	.256	6,5	.256	22,5	.886	2,7	.095	-4 ÷ 176	290	29"
A0160010	MA26 04 04	4	4	9	.354	9	.354	28	1.102	6,8	.240	-4 ÷ 176	290	29"
A0160030	MA26 06 06	6	6	12	.472	12	.472	33,6	1.323	15	.529	-4 ÷ 176	290	29"
A0160040	MA26 08 08	8	8	14	.551	14	.551	34	1.339	18	.635	-4 ÷ 176	290	29"
A0160050	MA26 10 10	10	10	16	.630	16	.630	38,6	1.520	22,5	.794	-4 ÷ 176	290	29"
A0160060	MA26 12 12	12	12	19	.748	19	.748	41	1.614	37	1.305	-4 ÷ 176	290	29"
A0160070	MA26 14 14	14	14	22	.866	22	.866	47	1.850	47,4	1.672	-4 ÷ 176	290	29"
A0160090	MA26 16 16	16	16	24	.945	24	.945	47	1.850	63,2	2.229	-4 ÷ 176	290	29"
A0163010	MA26 06 04	6	4	12	.472	12	.472	31	1.220	14,7	.519	-4 ÷ 176	290	29"
A0164030	MA26 08 06	8	6	14	.551	14	.551	34	1.339	21	.741	-4 ÷ 176	290	29"
A0165040	MA26 10 08	10	8	16	.630	16	.630	36,5	1.437	25,2	.889	-4 ÷ 176	290	29"
A0166040	MA26 12 08	12	8	19	.748	14	.551	39	1.535	-	-	-4 ÷ 176	290	29"
A0166050	MA26 12 10	12	10	19	.748	16	.630	40,5	1.594	-	-	-4 ÷ 176	290	29"

A0167060	MA26 14 12	14	12	22	.866	19	.748	44,5	1.752	-	-	-4 ÷ 176	290	29"
A0169060	MA26 16 12	16	12	24	.945	19	.748	44,5	1.752	-	-	-4 ÷ 176	290	29"
A0169070	MA26 16 14	16	14	24	.945	22	.866	47	1.850	-	-	-4 ÷ 176	290	29"