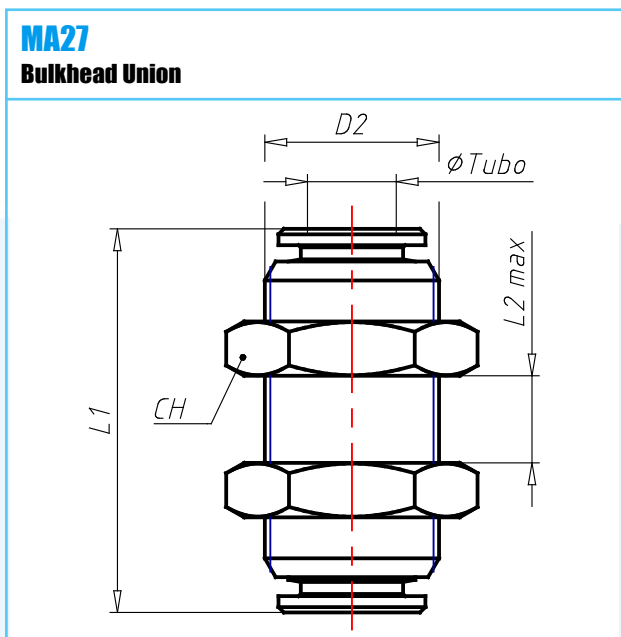


Material: Brass Nickel Plated
Working Temperature: -20 ÷ 80 C°
Working Temperature: -4 ÷ 176 F°
Working Pressure (max): 20 bar
Working Pressure (max): 290 psi
Vacuum: -99 kPa
Vacuum: 29" Hg
Conformity: Silicone Free

Conformity: RoHS
Conformity:
Conformity:
Conformity:
Application Pneumatic circuits



CODE	TYPE	DTUBO	D2	L1	L1IN	L2	L2IN	CH	G	GOZ	WTF	WPP	TVH
A0170000	MA27 03 03	3	M8x0,75	21	.827	8	.315	12	14.5	.511	-4 ÷ 176	290	29"
A0170010	MA27 04 04	4	M12x1	28	1.102	11	.433	16	23.5	.829	-4 ÷ 176	290	29"
A0170030	MA27 06 06	6	M14x1	34	1.339	16	.630	18	33.0	1.164	-4 ÷ 176	290	29"
A0170040	MA27 08 08	8	M16x1	34	1.339	16	.630	20	39.5	1.393	-4 ÷ 176	290	29"
A0170050	MA27 10 10	10	M18x1	39	1.535	19	.748	22	51.5	1.817	-4 ÷ 176	290	29"
A0170060	MA27 12 12	12	M20x1	41	1.614	20	.787	24	60.0	2.116	-4 ÷ 176	290	29"