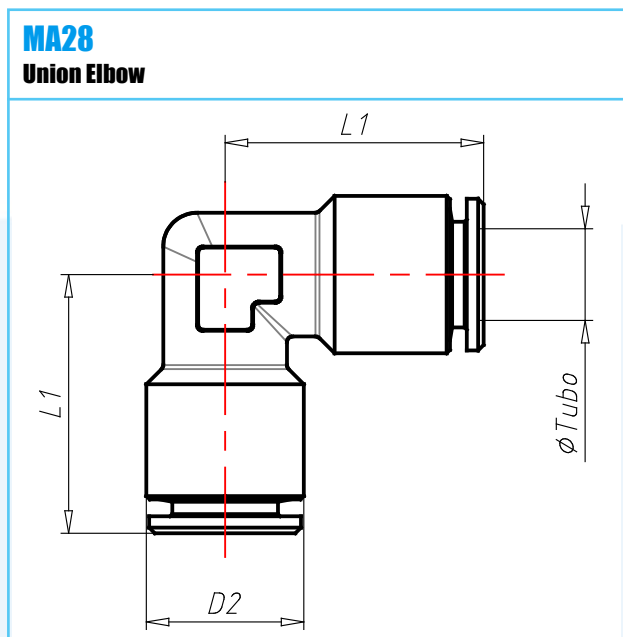


Material:	Brass Nickel Plated	
Working Temperature:	-20 ÷ 80	C°
Working Temperature:	-4 ÷ 176	F°
Working Pressure (max):	20	bar
Working Pressure (max):	290	psi
Vacuum:	-99	kPa
Vacuum:	29"	Hg
Conformity:	Silicone Free	

Conformity:	RoHS
Conformity:	
Conformity:	
Conformity:	
Application	Pneumatic circuits



CODE	TYPE	DTUBO	D2	D2IN	L1	L1IN	G	OZ	WTF	WPP	TVH
A0180000	MA28 03 03	3	7	.276	12,8	.504	4,5	.159	-4 ÷ 176	290	29"
A0180010	MA28 04 04	4	9	.354	17,5	.689	9	.317	-4 ÷ 176	290	29"
A0180030	MA28 06 06	6	12	.472	20,5	.807	16,5	.582	-4 ÷ 176	290	29"
A0180040	MA28 08 08	8	14	.551	22,5	.886	22	.776	-4 ÷ 176	290	29"
A0180050	MA28 10 10	10	16	.630	25	.984	29,5	1.041	-4 ÷ 176	290	29"
A0180060	MA28 12 12	12	19	.748	26,5	1.043	48,5	1.711	-4 ÷ 176	290	29"
A0180070	MA28 14 14	14	22	.866	31,5	1.240	58	2.046	-4 ÷ 176	290	29"
A0180090	MA28 16 16	16	24	.945	36,5	1.437	90,6	3.196	-4 ÷ 176	290	29"