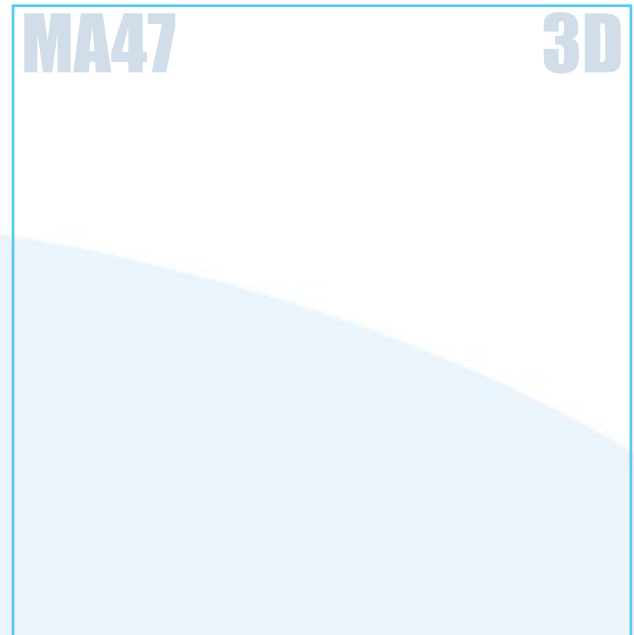
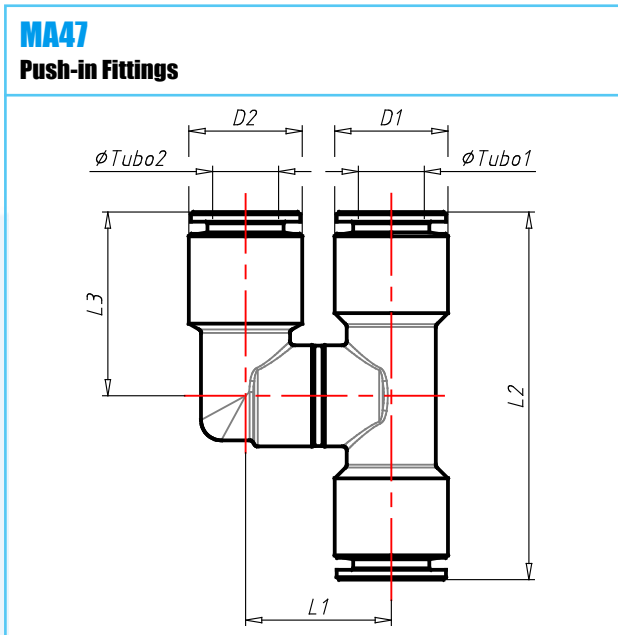


Material: Brass Nickel Plated
Working Temperature: -20 ÷ 80 C°
Working Temperature: -4 ÷ 176 F°
Working Pressure (max): 20 bar
Working Pressure (max): 290 psi
Vacuum: -99 kPa
Vacuum: 29" Hg
Conformity: Silicone Free

Conformity: RoHS
Conformity:
Conformity:
Conformity:
Application Pneumatic circuits



CODE	TYPE	DTUBO1	DTUBO2	D1	D1IN	D2	D2IN	L1	L1IN	L2	L2IN	L3	L3IN	G	G02	WTF	WPP	TVH
A0371010	MA47 04 04	4	4	9.1	.358	9.1	.358	18.4	.724	39	1.535	19.5	.768	27.0	.952	-4 ÷ 176	290	29"
A0371030	MA47 04 06	4	6	9.1	.358	12.0	.472	18.4	.724	39	1.535	22.0	.866	29.5	1.041	-4 ÷ 176	290	29"
A0373030	MA47 06 06	6	6	12.0	.472	12.0	.472	18.2	.717	44	1.732	22.0	.866	34.5	1.217	-4 ÷ 176	290	29"
A0373040	MA47 06 08	6	8	12.0	.472	14.0	.551	18.0	.709	44	1.732	22.5	.886	37.5	1.323	-4 ÷ 176	290	29"
A0374040	MA47 08 08	8	8	14.0	.551	14.0	.551	18.0	.709	45	1.772	22.5	.886	42.0	1.482	-4 ÷ 176	290	29"