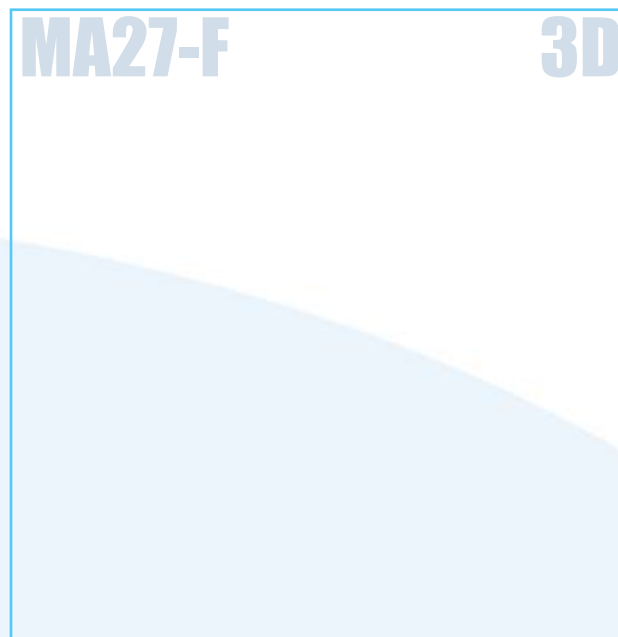
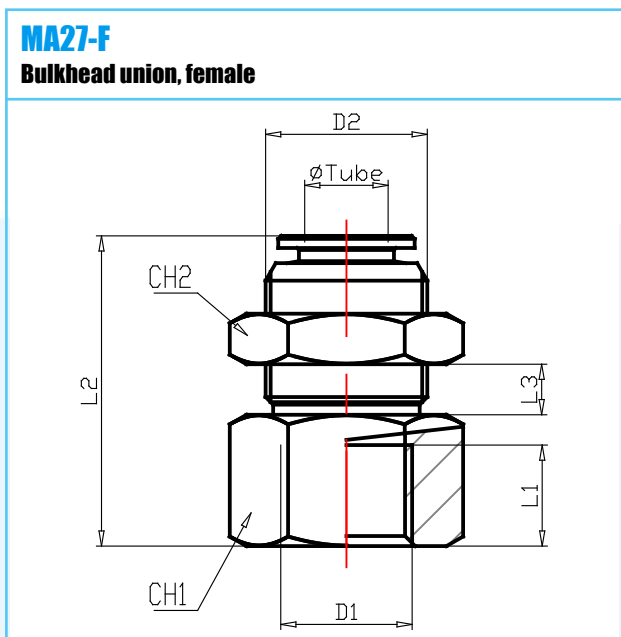


Material: Brass Nickel Plated
Working Temperature: -20 ÷ 80 C°
Working Temperature: -4 ÷ 176 F°
Working Pressure (max): 20 bar
Working Pressure (max): 290 psi
Vacuum: -99 kPa
Vacuum: 29" Hg
Conformity: Silicone Free

Conformity: RoHS
Conformity:
Conformity:
Conformity:
Application Pneumatic circuits



CODE	TYPE	DTUBO	D1	D2	L1	L1IN	L2	L2IN	L3	L3IN	CH1	CH2	G	GOZ	WTF	WPP	TVH
A0170031-F	MA27 06 18 -F	6	G1/8	M14x1	7	.276	26.5	1.043	9	.354	18	18	-	-	-4 ÷ 176	290	29"
A0170032-F	MA27 06 14 -F	6	G1/4	M14x1	10	.394	30.5	1.201	9	.354	18	18	-	-	-4 ÷ 176	290	29"
A0170041-F	MA27 08 18 -F	8	G1/8	M16x1	7	.276	26.5	1.043	9	.354	20	20	-	-	-4 ÷ 176	290	29"
A0170042-F	MA27 08 14 -F	8	G1/4	M16x1	10	.394	30.5	1.201	9	.354	20	20	-	-	-4 ÷ 176	290	29"
A0170053-F	MA27 10 38 -F	10	G3/8	M18x1	11	.433	33.0	1.299	10	.394	22	22	-	-	-4 ÷ 176	290	29"