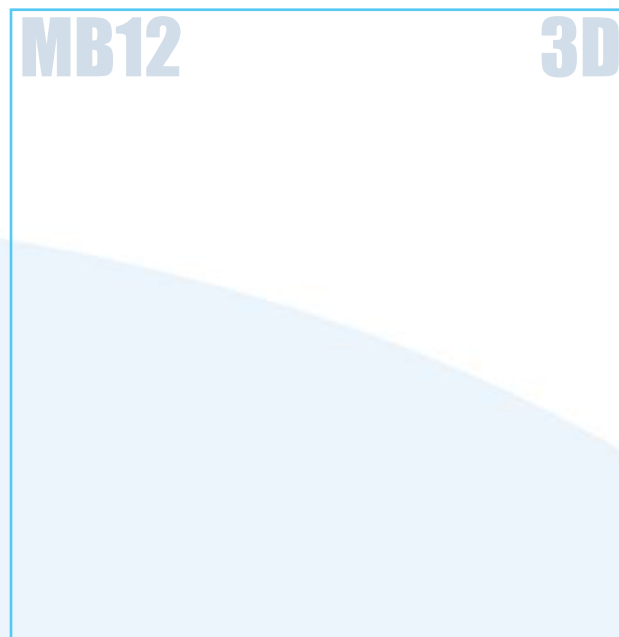
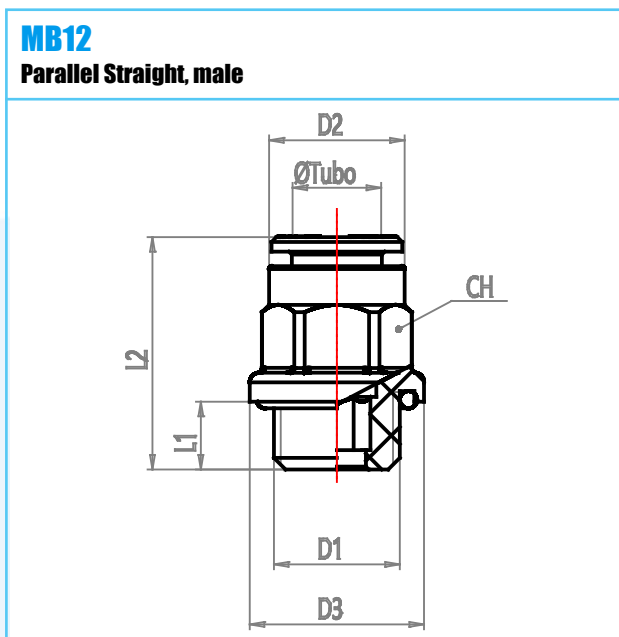


**Material:** Acetal Resin  
**Working Temperature:** -20 ÷ 70 C°  
**Working Temperature:** -4 ÷ 158 F°  
**Working Pressure (max):** 18 bar  
**Working Pressure (max):** 261 psi  
**Vacuum:** -99 kPa  
**Vacuum:** Hg  
**Conformity:** Silicone Free

**Conformity:** RoHS  
**Conformity:**  
**Conformity:**  
**Conformity:**  
**Application** Pneumatic circuits



CODE	TYPE	DTUBO	D1	D2	D2IN	D3	D3IN	L1	L1IN	L2	L2IN	CH	G	OZ	WTF	WPP
B0020011	MB12 04 18	4	G1/8	9,5	.374	15	.591	6	.236	21	.827	10	2,3	.081	-4 ÷ 158	261
B0020031	MB12 06 18	6	G1/8	11,5	.453	15	.591	6	.236	24	.945	12	2,7	.095	-4 ÷ 158	261
B0020032	MB12 06 14	6	G1/4	11,5	.453	18	.709	7	.276	24	.945	12	4,1	.145	-4 ÷ 158	261
B0020041	MB12 08 18	8	G1/8	14	.551	15	.591	6	.236	25,5	1.004	14	2,9	.102	-4 ÷ 158	261
B0020042	MB12 08 14	8	G1/4	14	.551	18	.709	7	.276	24	.945	14	3,8	.134	-4 ÷ 158	261
B0020043	MB12 08 38	8	G3/8	14	.551	22	.866	7	.276	24	.945	14	5,9	.208	-4 ÷ 158	261
B0020052	MB12 10 14	10	G1/4	16	.630	18	.709	7	.276	27	1.063	16	4	.141	-4 ÷ 158	261
B0020053	MB12 10 38	10	G3/8	16	.630	22	.866	7	.276	25	.984	16	6,2	.219	-4 ÷ 158	261