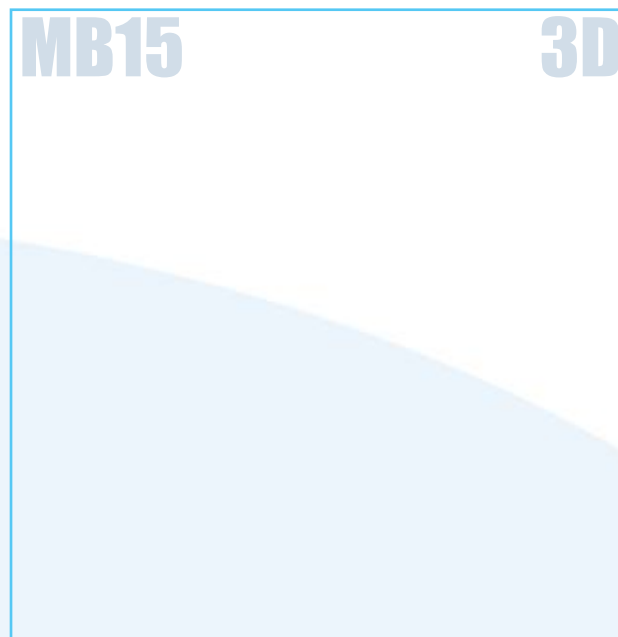
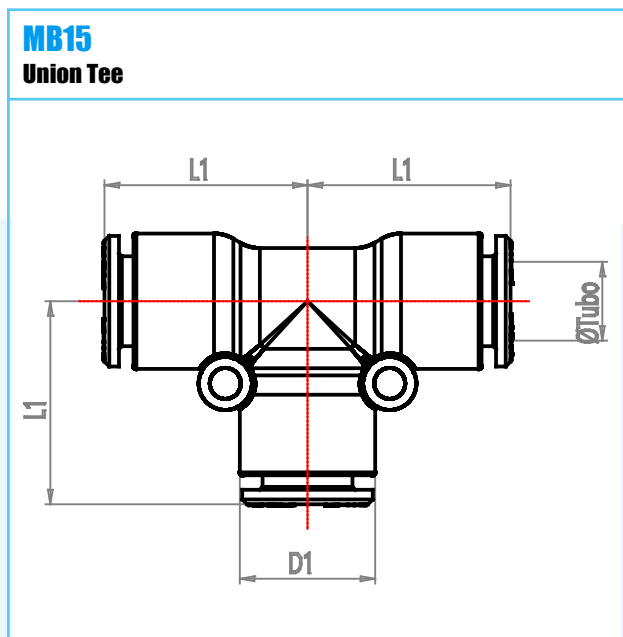


**Material:** Acetal Resin  
**Working Temperature:** -20 ÷ 70 C°  
**Working Temperature:** -4 ÷ 158 F°  
**Working Pressure (max):** 18 bar  
**Working Pressure (max):** 261 psi  
**Vacuum:** -99 kPa  
**Vacuum:** Hg  
**Conformity:** Silicone Free

**Conformity:** RoHS  
**Conformity:**  
**Conformity:**  
**Conformity:**  
**Application** Pneumatic circuits



CODE	TYPE	DTUBO	D1	D1IN	L1	L1IN	G	OZ	WTF	WPP
B0050010	MB15 04 04	4	9,5	.374	15,5	.610	3,3	.116	-4 ÷ 158	261
B0050030	MB15 06 06	6	11,5	.453	19,5	.768	4,6	.162	-4 ÷ 158	261
B0050040	MB15 08 08	8	14	.551	21	.827	7,1	.250	-4 ÷ 158	261
B0050050	MB15 10 10	10	16	.630	24	.945	8,7	.307	-4 ÷ 158	261
B0050060	MB15 12 12	12	19	.748	27	1.063	12,3	.434	-4 ÷ 158	261
B0050070	MB15 14 14	14	22,5	.886	30,5	1.201	21,7	.765	-4 ÷ 158	261