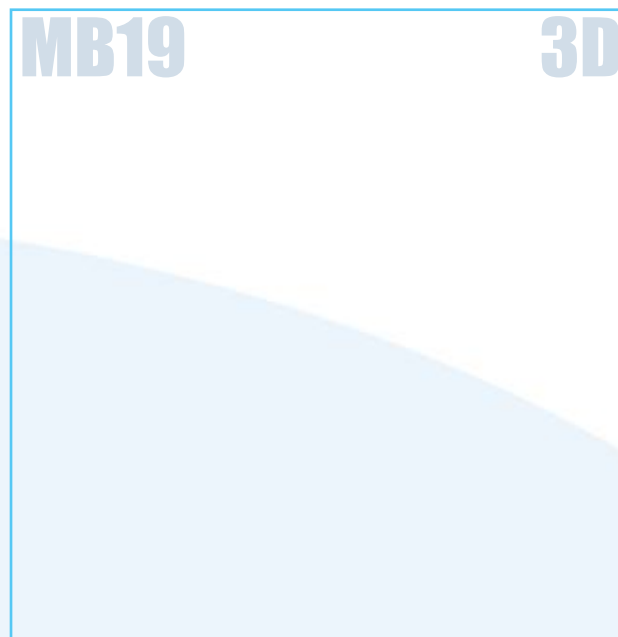
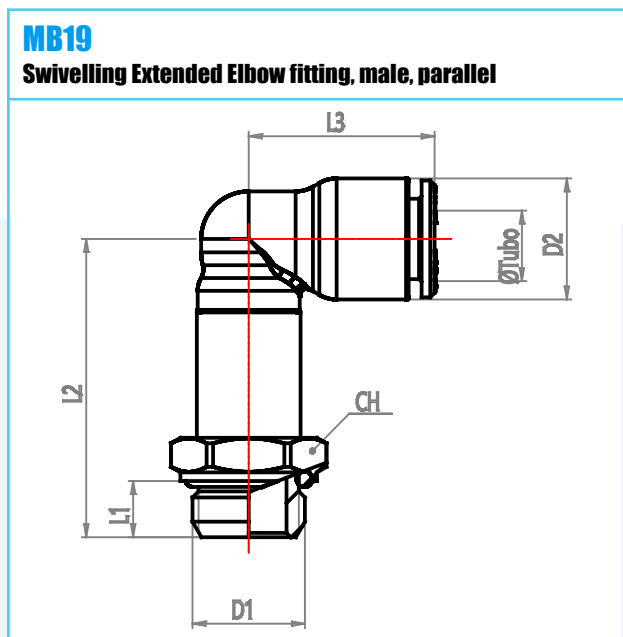


Material: Acetal Resin
Working Temperature: -20 ÷ 70 C°
Working Temperature: -4 ÷ 158 F°
Working Pressure (max): 18 bar
Working Pressure (max): 261 psi
Vacuum: -99 kPa
Vacuum: Hg
Conformity: Silicone Free

Conformity: RoHS
Conformity:
Conformity:
Conformity:
Application Pneumatic circuits



CODE	TYPE	DTUBO	D1	D2	D2IN	L1	L1IN	L2	L2IN	L3	L3IN	CH	G	OZ	WTF	WPP
B0090010	MB19 04 M5	4	M5x0,8	9,5	.374	4	.157	23,8	.937	16	.630	9	9,1	.321	-4 ÷ 158	261
B0090011	MB19 04 18	4	G1/8	9,5	.374	5	.197	24	.945	16	.630	13	10,2	.360	-4 ÷ 158	261
B0090012	MB19 04 14	4	G1/4	9,5	.374	6,5	.256	26	1.024	16	.630	16	13,7	.483	-4 ÷ 158	261
B0090030	MB19 06 M5	6	M5x0,8	11,5	.453	4	.157	29,8	1.173	20,5	.787	12	20,8	.734	-4 ÷ 158	261
B0090031	MB19 06 18	6	G1/8	11,5	.453	5	.197	31,8	1.252	20,5	.787	13	19,6	.691	-4 ÷ 158	261
B0090032	MB19 06 14	6	G1/4	11,5	.453	6,5	.256	33,8	1.331	20,5	.787	16	20,5	.723	-4 ÷ 158	261
B0090041	MB19 08 18	8	G1/8	14	.551	5	.197	32,5	1.280	21,5	.846	13	20	.705	-4 ÷ 158	261
B0090042	MB19 08 14	8	G1/4	14	.551	6,5	.256	34,5	1.358	21,5	.846	16	20,9	.737	-4 ÷ 158	261
B0090043	MB19 08 38	8	G3/8	14	.551	7	.276	36	1.417	21,5	.846	20	29,4	1.037	-4 ÷ 158	261
B0090052	MB19 10 14	10	G1/4	16	.630	6,5	.256	36,9	1.453	24,5	.965	16	32,3	1.139	-4 ÷ 158	261
B0090053	MB19 10 38	10	G3/8	16	.630	7	.276	38,9	1.531	24,5	.965	20	36,8	1.298	-4 ÷ 158	261