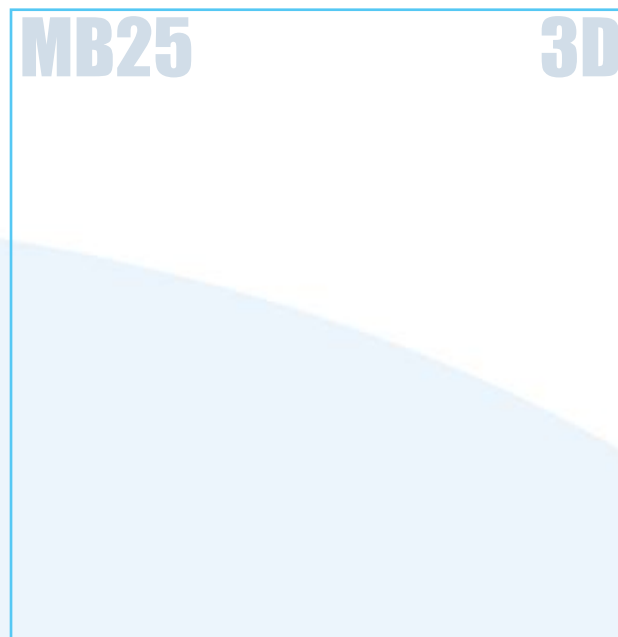
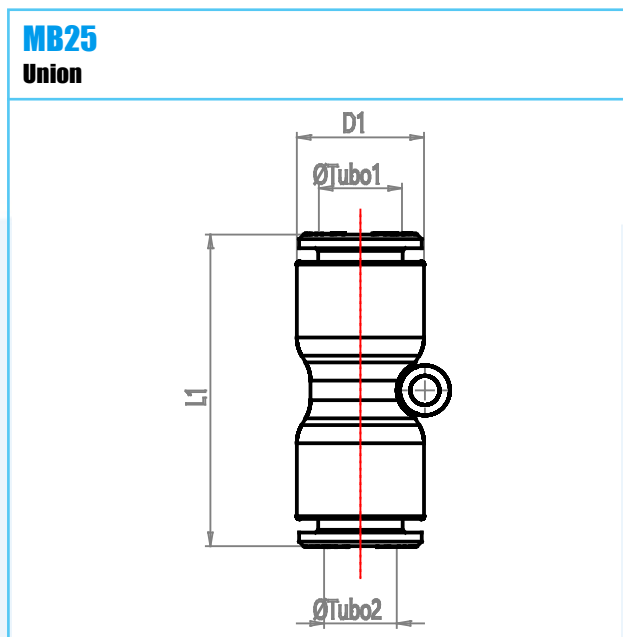


Material: Acetal Resin
Working Temperature: -20 ÷ 70 C°
Working Temperature: -4 ÷ 158 F°
Working Pressure (max): 18 bar
Working Pressure (max): 261 psi
Vacuum: -99 kPa
Vacuum: Hg
Conformity: Silicone Free

Conformity: RoHS
Conformity:
Conformity:
Conformity:
Application Pneumatic circuits



CODE	TYPE	DTUBO	DTUBO2	D1	D1IN	L1	L1IN	G	OZ	WTF	WPP
B0150010	MB25 04 04	4	4	9,5	.374	27,5	1.083	2,2	.078	-4 ÷ 158	261
B0150030	MB25 06 06	6	6	11,5	.453	33,7	1.327	3,4	.120	-4 ÷ 158	261
B0150040	MB25 08 08	8	8	14	.551	34,3	1.350	4,3	.152	-4 ÷ 158	261
B0150050	MB25 10 10	10	10	16	.630	37,9	1.492	5,5	.194	-4 ÷ 158	261
B0150060	MB25 12 12	12	12	19	.748	41,3	1.626	7,6	.268	-4 ÷ 158	261
B0150070	MB25 14 14	14	14	22,5	.886	48	1.890	13	.459	-4 ÷ 158	261
B0153010	MB25 06 04	6	4	11,5	.453	30,6	1.205	2,8	.099	-4 ÷ 158	261
B0154030	MB25 08 06	8	6	14	.551	34	1.339	4	.141	-4 ÷ 158	261
B0155040	MB25 10 08	10	8	16	.630	36,1	1.421	7	.247	-4 ÷ 158	261
B0156040	MB25 12 08	12	8	19	.748	39,1	1.539	9,5	.335	-4 ÷ 158	261
B0156050	MB25 12 10	12	10	19	.748	39,6	1.560	8,6	.303	-4 ÷ 158	261