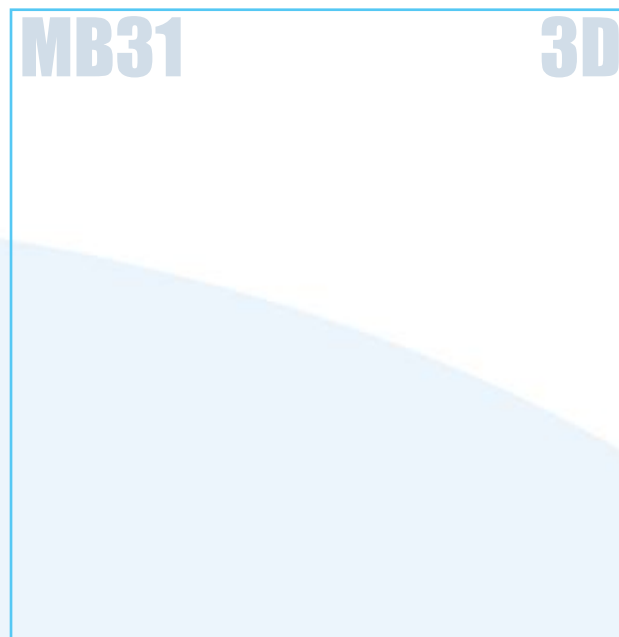
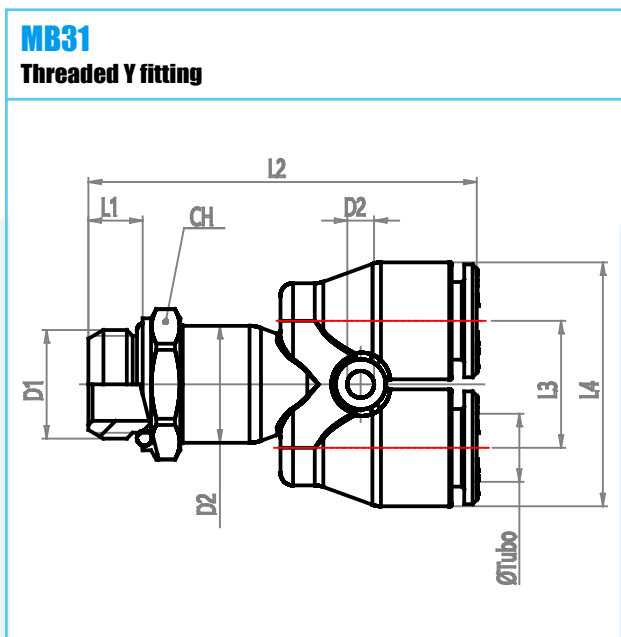


Material: Acetal Resin
Working Temperature: -20 ÷ 70 C°
Working Temperature: -4 ÷ 158 F°
Working Pressure (max): 18 bar
Working Pressure (max): 261 psi
Vacuum: -99 kPa
Vacuum: Hg
Conformity: Silicone Free

Conformity: RoHS
Conformity:
Conformity:
Conformity:
Application Pneumatic circuits



CODE	TYPE	DTUBO	D1	D2	D2IN	D3	D3IN	L1	L1IN	L2	L2IN	L3	L3IN	L4	L4IN	CH	G	OZ	WTF	WPP
B0210010	MB31	4	M5x0,8	9,5	.374	2,7	.106	4	.157	34,3	1.350	10,7	.421	20,2	.795	9	6,5	.229	-4 ÷ 158	261
	04	M5																		
B0210011	MB31	4	G1/8	9,5	.374	2,7	.106	5	.197	35,4	1.390	10,7	.421	20,2	.795	13	9	.317	-4 ÷ 158	261
	04	18																		
B0210012	MB31	4	G1/4	9,5	.374	2,7	.106	6,5	.256	37,3	1.469	10,7	.421	20,2	.795	16	13,4	.473	-4 ÷ 158	261
	04	14																		
B0210031	MB31	6	G1/8	11,5	.453	3,2	.126	5	.197	41,9	1.650	13	.512	24,5	.965	13	11,5	.406	-4 ÷ 158	261
	06	18																		
B0210032	MB31	6	G1/4	11,5	.453	3,2	.126	6,5	.256	43,9	1.728	13	.512	24,5	.965	16	16,2	.571	-4 ÷ 158	261
	06	14																		
B0210041	MB31	8	G1/8	14	.551	3,2	.126	5	.197	43	1.693	15,2	.598	29,2	1.150	14	15,9	.561	-4 ÷ 158	261
	08	18																		
B0210042	MB31	8	G1/4	14	.551	3,2	.126	6,5	.256	46,5	1.831	15,2	.598	29,2	1.150	16	18,8	.663	-4 ÷ 158	261
	08	14																		
B0210043	MB31	8	G3/8	14	.551	3,2	.126	7	.276	48,5	1.909	15,2	.598	29,2	1.150	20	27,7	.977	-4 ÷ 158	261
	08	38																		

