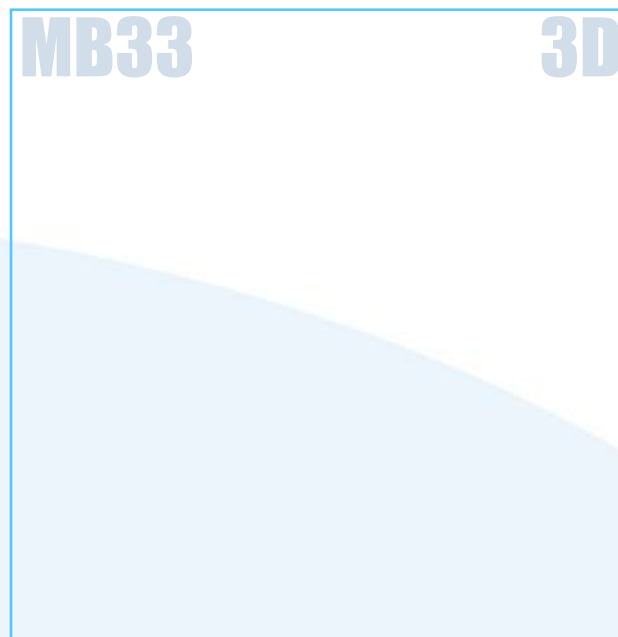
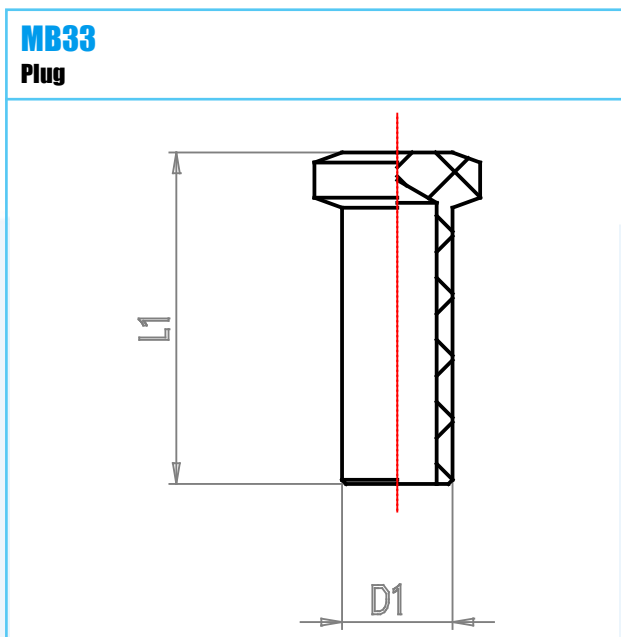


Material: Acetal Resin
Working Temperature: -20 ÷ 70 C°
Working Temperature: -4 ÷ 158 F°
Working Pressure (max): 18 bar
Working Pressure (max): 261 psi
Vacuum: -99 kPa
Vacuum: Hg
Conformity: Silicone Free

Conformity: RoHS
Conformity:
Conformity:
Conformity:
Application Pneumatic circuits



CODE	TYPE	D1	D1IN	L1	L1IN	G	OZ	WTF	WPP
B0230010	MB33 04 00	4	.157	18	.709	0.3	.011	-4 ÷ 158	261
B0230030	MB33 06 00	6	.236	22	.866	0.9	.032	-4 ÷ 158	261
B0230040	MB33 08 00	8	.315	24	.945	1.3	.046	-4 ÷ 158	261
B0230050	MB33 10 00	10	.394	26	1.024	2.0	.071	-4 ÷ 158	261
B0230060	MB33 12 00	12	.472	40	1.575	3.3	.116	-4 ÷ 158	261
B0230070	MB33 14 00	14	.551	40	1.575	4.2	.148	-4 ÷ 158	261