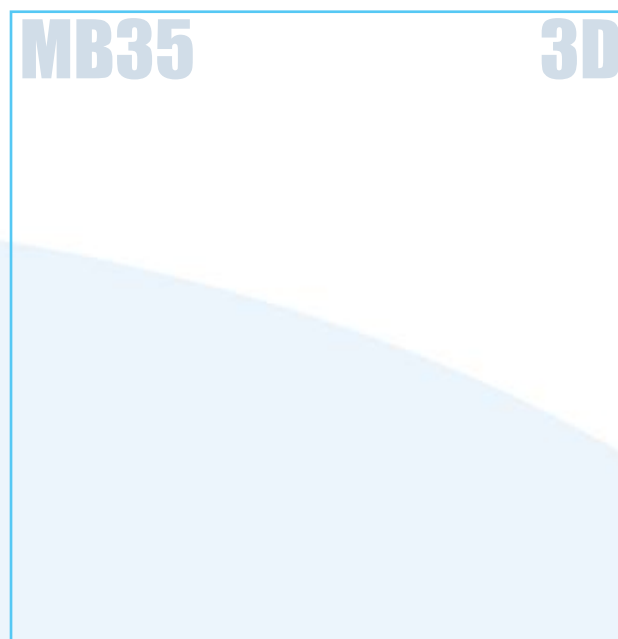
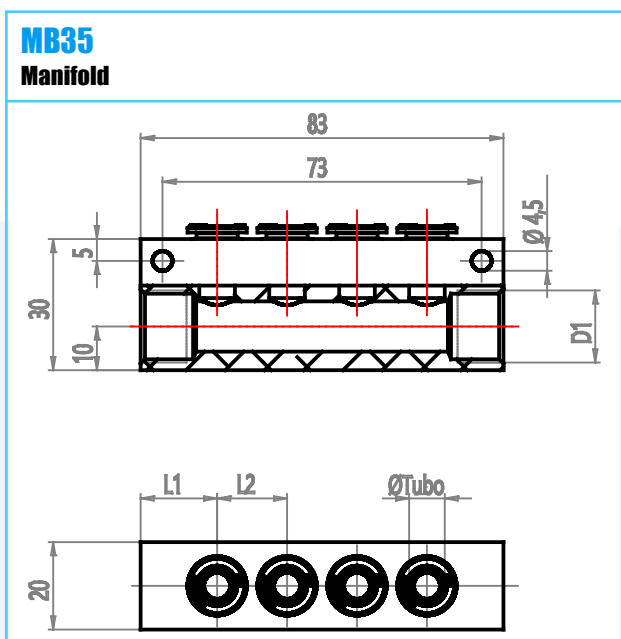


**Material:** Acetal Resin  
**Working Temperature:** -20 ÷ 70 C°  
**Working Temperature:** -4 ÷ 158 F°  
**Working Pressure (max):** 18 bar  
**Working Pressure (max):** 261 psi  
**Vacuum:** -99 kPa  
**Vacuum:** Hg  
**Conformity:** Silicone Free

**Conformity:** RoHS  
**Conformity:**  
**Conformity:**  
**Conformity:**  
**Application** Pneumatic circuits



CODE	TYPE	TUBEOD	D1	L1	L1IN	L2	L2IN	N	G	OZ	WTF	WPP
B0250010	MB35 04 06	4	G1/4	14.0	.551	11	.433	6	111.7	3.940	-4 ÷ 158	261
B0250030	MB35 06 05	6	G1/4	15.5	.610	13	.512	5	104.1	3.672	-4 ÷ 158	261
B0250040	MB35 08 04	8	G3/8	17.5	.689	16	.630	4	99.3	3.503	-4 ÷ 158	261