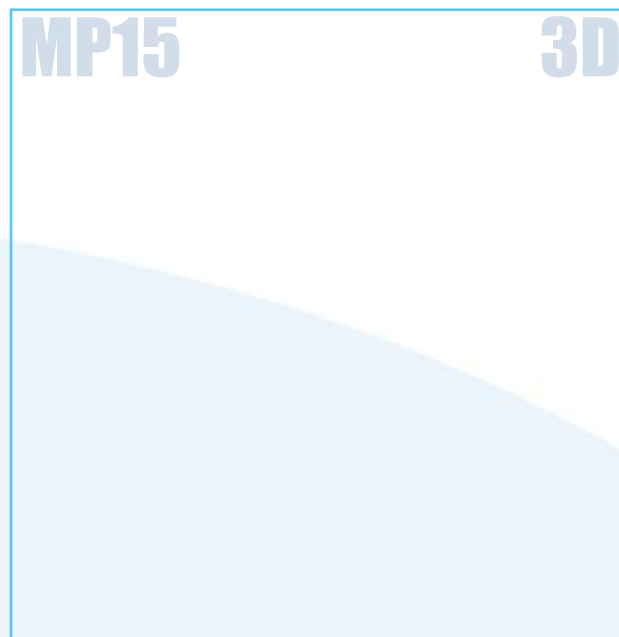
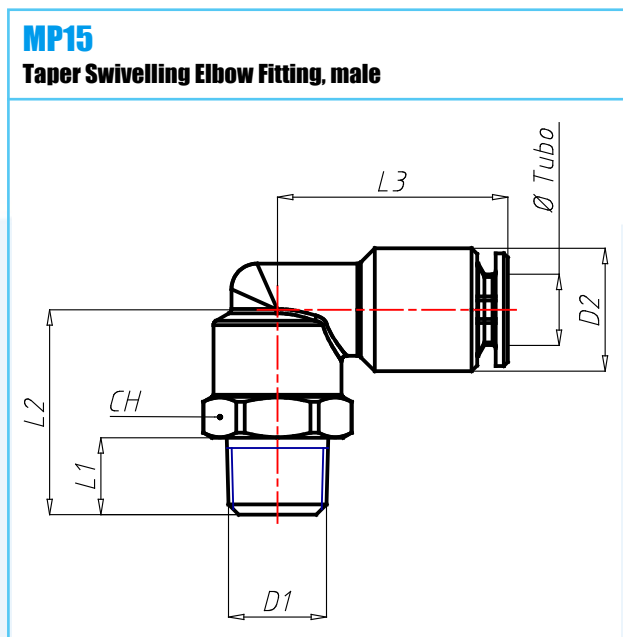


**Material:** Brass Nickel Plated  
**Working Temperature:** -20 ÷ 80 C°  
**Working Temperature:** -4 ÷ 176 F°  
**Working Pressure (max):** 80 bar  
**Working Pressure (max):** 1160 psi  
**Vacuum:** kPa  
**Vacuum:** Hg  
**Conformity:** RoHS

**Conformity:**  
**Conformity:**  
**Conformity:**  
**Conformity:**  
**Application** Lubrication installations



NAME	CODE	TYPE	VAR_TUBO	D1	D2	D2IN	L1	L1IN	L2	L2IN	L3	L3IN	CH	G	OZ	WTF	WPP	NN
M0050011	M0050011	MP15 04 18	4	R1/8	9	.354	7,5	.295	20	.787	20	.787	13	21,9	.772	-4 ÷ 176	1160	0
M0050031	M0050031	MP15 06 18	6	R1/8	12	.472	7,5	.295	20	.787	22	.866	13	24,2	.854	-4 ÷ 176	1160	0
M0050041	M0050041	MP15 08 18	8	R1/8	14	.551	7,5	.295	20,5	.807	22,5	.886	13	28,3	.998	-4 ÷ 176	1160	0
M0050042	M0050042	MP15 08 14	8	R1/4	14	.551	11	.433	24	.945	22,5	.886	14	35,8	1.263	-4 ÷ 176	1160	0
M0050110	M0050110	MP15 04 M6x1	4	M6x1	9	.354	8	.315	20,5	.807	20	.787	13	19,9	.702	-4 ÷ 176	1160	0
M0050130	M0050130	MP15 06 M6x1	6	M6x1	12	.472	8	.315	20,5	.807	22	.866	13	21,7	.765	-4 ÷ 176	1160	0
M0050510	M0050510	MP15 04 M8x1	4	M8x1	9	.354	8	.315	20,5	.807	20	.787	13	20,7	.730	-4 ÷ 176	1160	0

M0050530	M0050530	MP15 06 M8x1	6	M8x1	12	.472	8	.315	20,5	.807	22	.866	13	22,6	.797	-4 ÷ 176	1160	0
M0050610	M0050610	MP15 04 M10x1	4	M10x1	9	.354	8	.315	21,5	.846	20	.787	13	23,4	.825	-4 ÷ 176	1160	0
M0050630	M0050630	MP15 06 M10x1	6	M10x1	12	.472	8	.315	21,5	.846	22	.866	13	25,8	.910	-4 ÷ 176	1160	0
M0050640	M0050640	MP15 08 M10x1	8	M10x1	14	.551	8	.315	22	.866	22,5	.886	13	29,9	1.055	-4 ÷ 176	1160	0