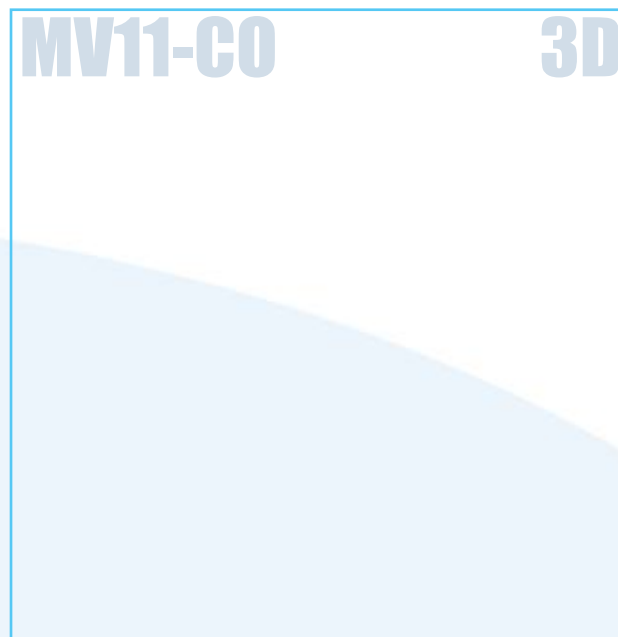
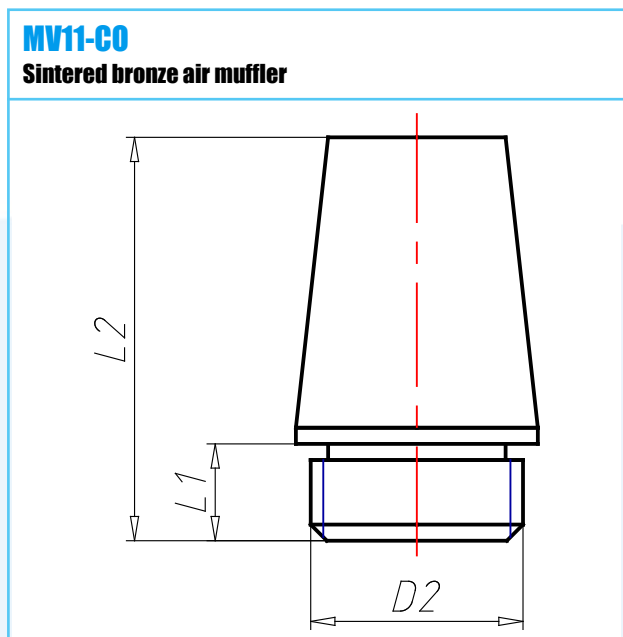


Material: Brass
Working Temperature: -10 ÷ 70 C°
Working Temperature: 14 ÷ 158 F°
Working Pressure (max): 0 ÷ 12 bar
Working Pressure (max): 174 psi
Vacuum: kPa
Vacuum: Hg
Conformity:

Conformity:
Conformity:
Conformity:
Conformity:
Application Pneumatic installations fed with filtered, lubricated air



CODE	TYPE	D1	L1	L1IN	L2	L2IN	G	GOZ	NL	FT	WTF	WPP	CONF
04010000-CO	MV11 00 M5-CO	M5x0,8	4.5	.177	14.5	.571	1.4	.049	-	35	14 ÷ 158	174	RoHS
04010001-CO	MV11 00 18-CO	G1/8	6.0	.236	22.0	.866	6.2	.219	70	35	14 ÷ 158	174	RoHS
04010002-CO	MV11 00 14-CO	G1/4	6.0	.236	26.0	1.024	11.4	.402	67	35	14 ÷ 158	174	RoHS
04010003-CO	MV11 00 38-CO	G3/8	8.0	.315	38.5	1.516	27.3	.963	77	35	14 ÷ 158	174	RoHS
04010004-CO	MV11 00 12-CO	G1/2	9.0	.354	41.0	1.614	42.0	1.482	80	35	14 ÷ 158	174	RoHS