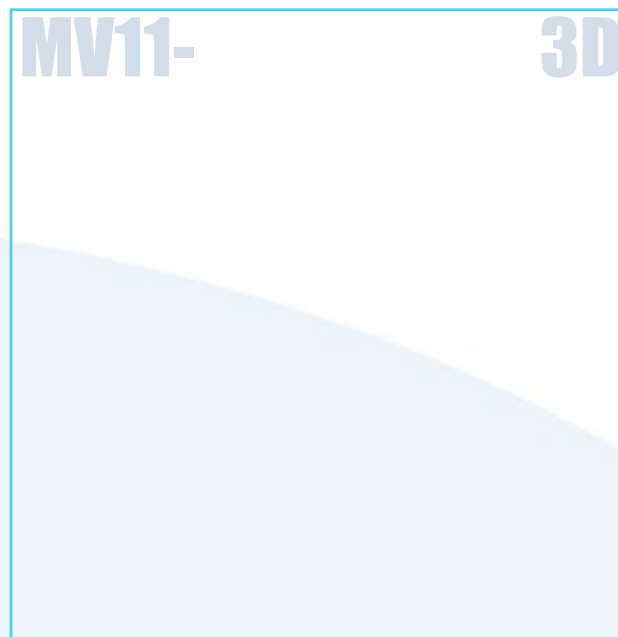
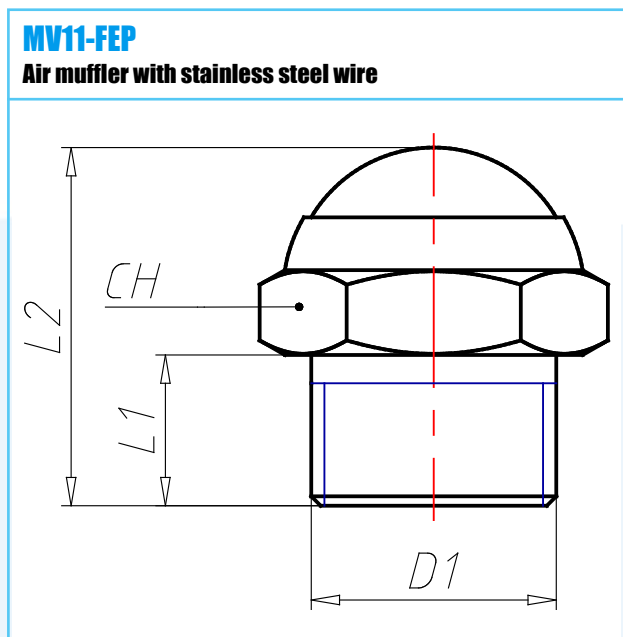


Material: PA6
Working Temperature: -10 ÷ 70 C°
Working Temperature: 14 ÷ 158 F°
Working Pressure (max): 0 ÷ 12 bar
Working Pressure (max): 174 psi
Vacuum: kPa
Vacuum: Hg
Conformity:

Conformity:
Conformity:
Conformity:
Conformity:
Application Pneumatic installations fed with filtered, lubricated air



CODE	TYPE	D1	L1	L1IN	L2	L2IN	CH	G	GOZ	NL	FT	WTF	WPP	CONF
04010001-FEP	MV11 00 18-FEP	G1/8	6.0	.236	16	.630	13	2.0	.071	74	100-200	14 ÷ 158	174	RoHS
04010002-FEP	MV11 00 14-FEP	G1/4	8.0	.315	19	.748	16	3.5	.123	72	100-200	14 ÷ 158	174	RoHS
04010003-FEP	MV11 00 38-FEP	G3/8	7.5	.295	19	.748	19	4.9	.173	88	100-200	14 ÷ 158	174	RoHS
04010004-FEP	MV11 00 12-FEP	G1/2	10.0	.394	23	.906	24	8.4	.296	90	100-200	14 ÷ 158	174	RoHS