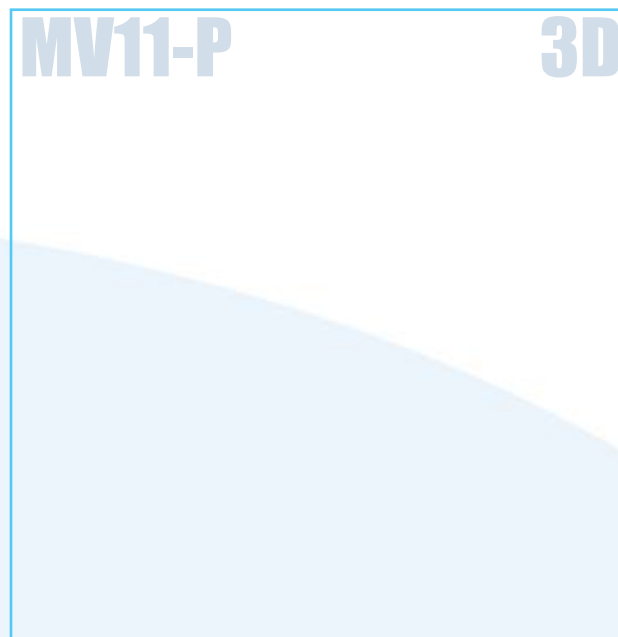
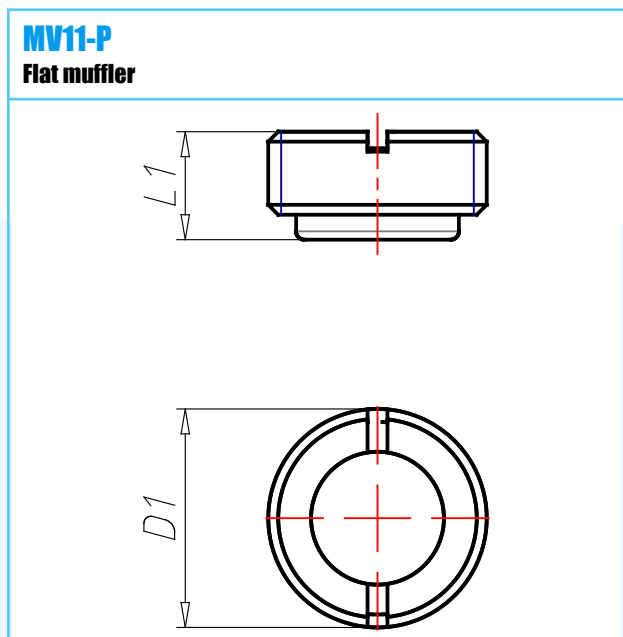


Material: PA6
Working Temperature: -10 ÷ 70 C°
Working Temperature: 14 ÷ 158 F°
Working Pressure (max): 0 ÷ 12 bar
Working Pressure (max): 174 psi
Vacuum: kPa
Vacuum: Hg
Conformity:

Conformity:
Conformity:
Conformity:
Conformity:
Application Pneumatic installations fed with filtered, lubricated air



CODE	TYPE	D1	L1	L1IN	G	GOZ	NL	FT	WTF	WPP	CONF
04010001-P	MV11 00 18-P	G1/8	4.5	.177	1.3	.046	72	80	14 ÷ 158	174	RoHS
04010002-P	MV11 00 14-P	G1/4	6.5	.256	3.5	.123	73	80	14 ÷ 158	174	RoHS
04010003-P	MV11 00 38-P	G3/8	7.5	.295	6.9	.243	84	80	14 ÷ 158	174	RoHS
04010004-P	MV11 00 12-P	G1/2	8.5	.335	11.2	.395	88	80	14 ÷ 158	174	RoHS