

**Material:** 316L Stainless Steel  
**Working Temperature:** -20 ÷ 180 C°  
**Working Temperature:** -4 ÷ 356 F°  
**Working Pressure (max):** 20 bar  
**Working Pressure (max):** 290 psi  
**Vacuum:** -99 kPa  
**Vacuum:** 29" Hg  
**Conformity:** NSF 169

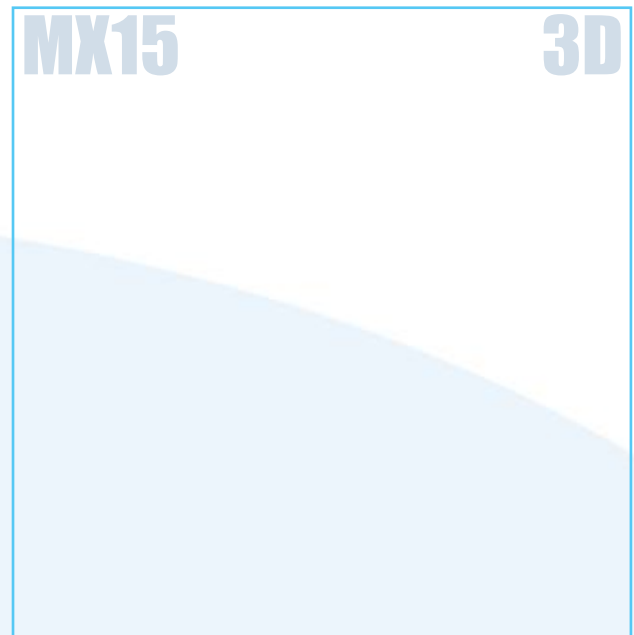
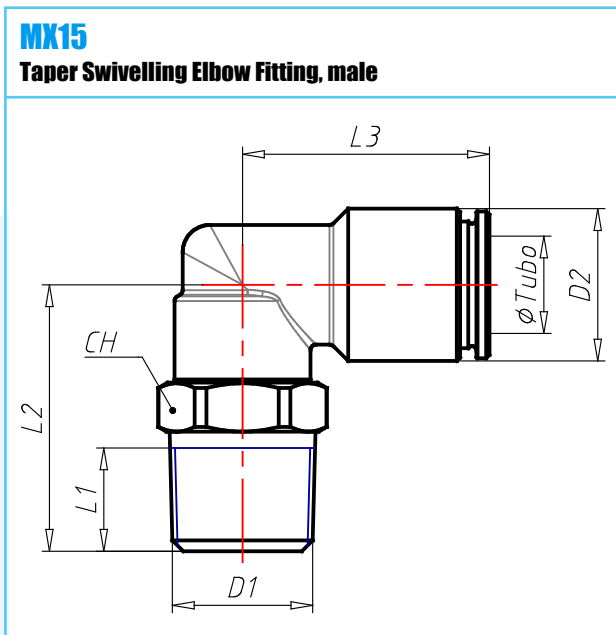
**Conformity:** MOCA

**Conformity:** RoHS

**Conformity:**

**Conformity:**

**Application** Pneumatics, Food Industry, Chemical, Medical and Pharmaceutical Industry



CODE	TYPE	DTUBO	D1	D2	D2IN	L1	L1IN	L2	L2IN	L3	L3IN	CH	G	GOZ	WTF	WPP	TVH
X0050011	MX15 04 18	4	R1/8	9	.354	7.5	.295	18.0	.709	17.5	.689	10	10.8	.381	-4 ÷ 356	290	29"
X0050031	MX15 06 18	6	R1/8	12	.472	7.5	.295	20.5	.807	21.5	.846	13	21.2	.748	-4 ÷ 356	290	29"
X0050032	MX15 06 14	6	R1/4	12	.472	11.0	.433	24.5	.965	21.5	.846	14	25.2	.889	-4 ÷ 356	290	29"
X0050041	MX15 08 18	8	R1/8	14	.551	7.5	.295	20.5	.807	22.5	.886	13	22.2	.783	-4 ÷ 356	290	29"
X0050042	MX15 08 14	8	R1/4	14	.551	11.0	.433	24.5	.965	22.5	.886	14	26.3	.928	-4 ÷ 356	290	29"
X0050043	MX15 08 38	8	R3/8	14	.551	11.5	.453	25.0	.984	22.5	.886	17	-	-	-4 ÷ 356	290	29"
X0050052	MX15 10 14	10	R1/4	16	.630	11.0	.433	27.0	1.063	26.0	1.024	16	37.5	1.323	-4 ÷ 356	290	29"
X0050053	MX15 10 38	10	R3/8	16	.630	11.5	.453	27.5	1.083	26.0	1.024	17	41.1	1.450	-4 ÷ 356	290	29"
X0050054	MX15 10 12	10	R1/2	16	.630	14.0	.551	32.0	1.260	26.0	1.024	22	-	-	-4 ÷ 356	290	29"
X0050062	MX15 12 14	12	R1/4	19	.748	11.0	.433	30.5	1.201	28.5	1.122	21	-	-	-4 ÷ 356	290	29"
X0050063	MX15 12 38	12	R3/8	19	.748	11.5	.453	31.0	1.220	28.5	1.122	21	65.1	2.296	-4 ÷ 356	290	29"
X0050064	MX15 12 12	12	R1/2	19	.748	14.0	.551	34.0	1.339	28.5	1.122	22	71.5	2.522	-4 ÷ 356	290	29"