

Material: 316L Stainless Steel
Working Temperature: -20 ÷ 180 C°
Working Temperature: -4 ÷ 356 F°
Working Pressure (max): 20 bar
Working Pressure (max): 290 psi
Vacuum: -99 kPa
Vacuum: 29" Hg
Conformity: NSF 169

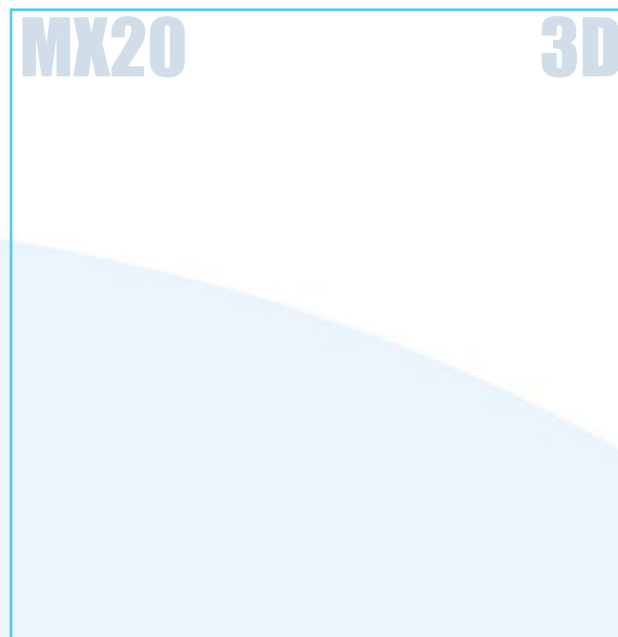
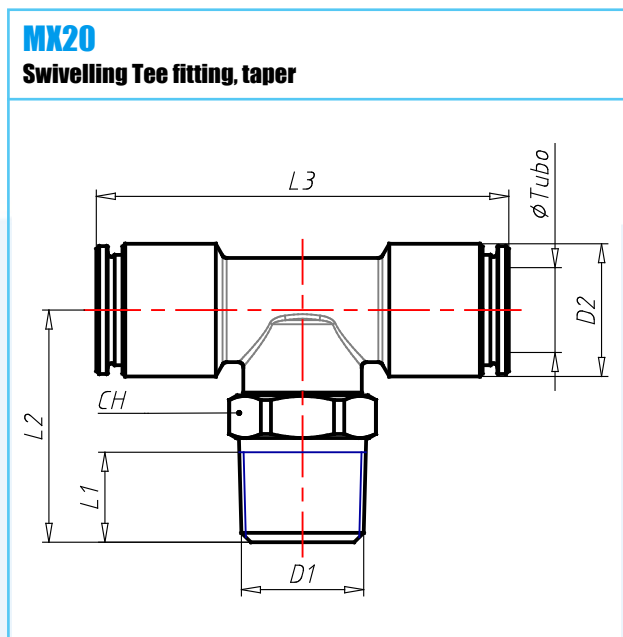
Conformity: MOCA

Conformity: RoHS

Conformity:

Conformity:

Application Pneumatics, Food Industry, Chemical, Medical and Pharmaceutical Industry



CODE	TYPE	DTUBO	D1	D2	D2IN	L1	L1IN	L2	L2IN	L3	L3IN	CH	G	GOZ	WTF	WPP	TVH
X0100011	MX20 04 18	4	R1/8	9	.354	7.5	.295	21.5	.846	35	1.378	10	16.1	.568	-4 ÷ 356	290	29"
X0100031	MX20 06 18	6	R1/8	12	.472	7.5	.295	20.5	.807	43	1.693	13	30.3	1.069	-4 ÷ 356	290	29"
X0100032	MX20 06 14	6	R1/4	12	.472	11.0	.433	24.5	.965	43	1.693	14	33.9	1.196	-4 ÷ 356	290	29"
X0100041	MX20 08 18	8	R1/8	14	.551	7.5	.295	20.5	.807	43	1.693	13	32.2	1.136	-4 ÷ 356	290	29"
X0100042	MX20 08 14	8	R1/4	14	.551	11.0	.433	24.5	.965	43	1.693	14	35.4	1.249	-4 ÷ 356	290	29"
X0100052	MX20 10 14	10	R1/4	16	.630	11.0	.433	27.5	1.083	51	2.008	16	61	2.152	-4 ÷ 356	290	29"
X0100053	MX20 10 38	10	R3/8	16	.630	11.5	.453	28.0	1.102	51	2.008	17	64.1	2.261	-4 ÷ 356	290	29"
X0100063	MX20 12 38	12	R3/8	19	.748	11.5	.453	31.0	1.220	57	2.244	21	-	-	-4 ÷ 356	290	29"
X0100064	MX20 12 12	12	R1/2	19	.748	14.0	.551	34.0	1.339	57	2.244	22	-	-	-4 ÷ 356	290	29"