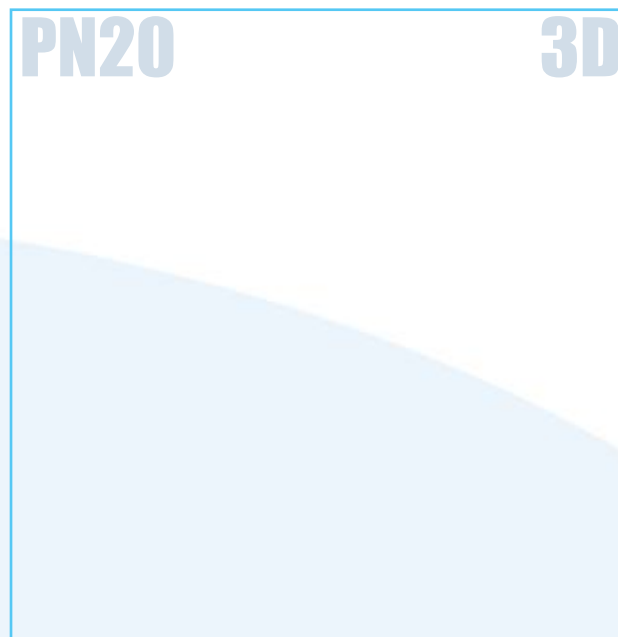
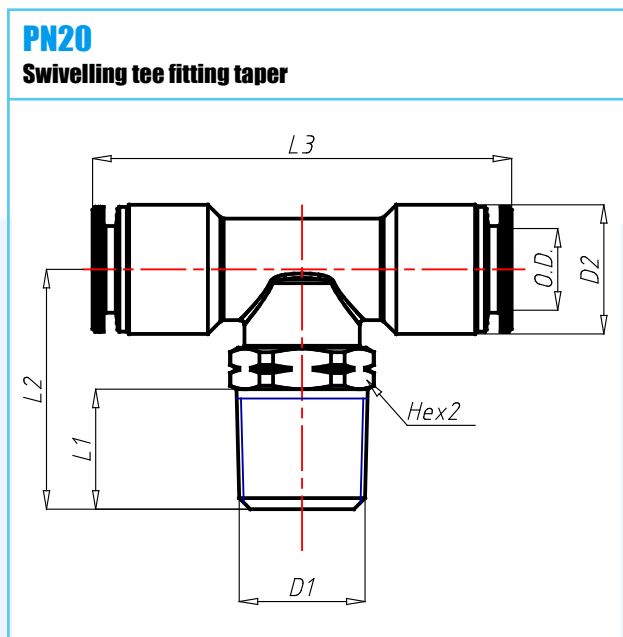


**Material:** Brass Nickel Plated  
**Working Temperature:** -20 ÷ 80 C°  
**Working Temperature:** -4 ÷ 176 F°  
**Working Pressure (max):** 20 bar  
**Working Pressure (max):** 290 psi  
**Vacuum:** -99 kPa  
**Vacuum:** 29" Hg  
**Conformity:** Silicone Free

**Conformity:** RoHS  
**Conformity:**  
**Conformity:**  
**Conformity:**  
**Application** Pneumatic circuits



CODE	TIPO	TUBEOD	D1NPTF	D2	D2IN	L1	L1IN	L2	L2IN	L3	L3IN	HEX	G	GOZ	WTF	WPP	TVH
20100001	PN20 1/8 1/8	1/8	1/8	7	.276	8,5	.335	21	.827	32	1.260	1/2	19,00	.670	-4 ÷ 176	290	29"
20100011	PN20 5/32 1/8	5/32	1/8	9,1	.358	8,5	.335	21	.827	39	1.535	1/2	22,00	.776	-4 ÷ 176	290	29"
20100012	PN20 5/32 1/4	5/32	1/4	9,1	.358	13	.512	26	1.024	39	1.535	9/16	27,00	.952	-4 ÷ 176	290	29"
20100031	PN20 1/4 1/8	1/4	1/8	12	.472	8,5	.335	21	.827	44	1.732	1/2	25,50	.899	-4 ÷ 176	290	29"
20100032	PN20 1/4 1/4	1/4	1/4	12	.472	13	.512	26	1.024	44	1.732	9/16	30,5	1.076	-4 ÷ 176	290	29"
20100041	PN20 5/16 1/8	5/16	1/8	14	.551	8,5	.335	21	.827	45	1.772	1/2	31,5	1.111	-4 ÷ 176	290	29"
20100042	PN20 5/16 1/4	5/16	1/4	14	.551	13	.512	26	1.024	45	1.772	9/16	37	1.305	-4 ÷ 176	290	29"
20100052	PN20 3/8 1/4	3/8	1/4	16	.630	13	.512	28,5	1.122	52	2.047	11/16	54	1.905	-4 ÷ 176	290	29"
20100053	PN20 3/8 3/8	3/8	3/8	16	.630	13	.512	28,5	1.122	52	2.047	11/16	55	1.940	-4 ÷ 176	290	29"
20100063	PN20 1/2 3/8	1/2	3/8	20	.787	13	.512	32	1.260	57	2.244	13/16	78	2.751	-4 ÷ 176	290	29"
20100064	PN20 1/2 1/2	1/2	1/2	20	.787	17	.669	36,5	1.437	57	2.244	7/8	93,5	3.298	-4 ÷ 176	290	29"