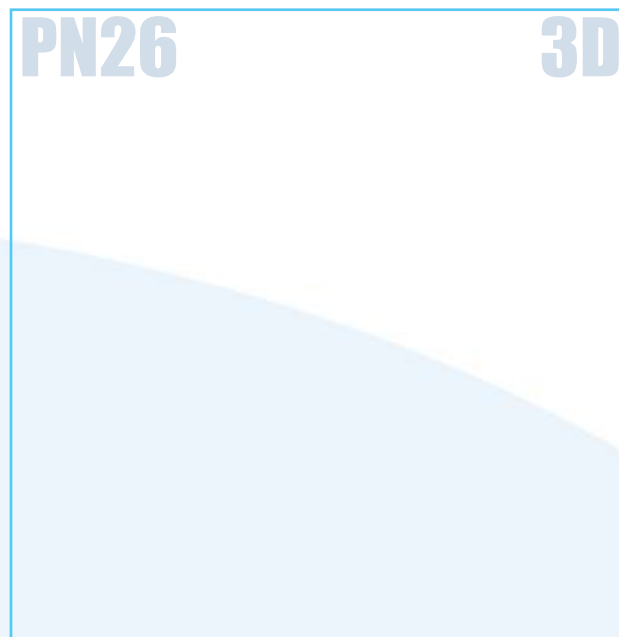
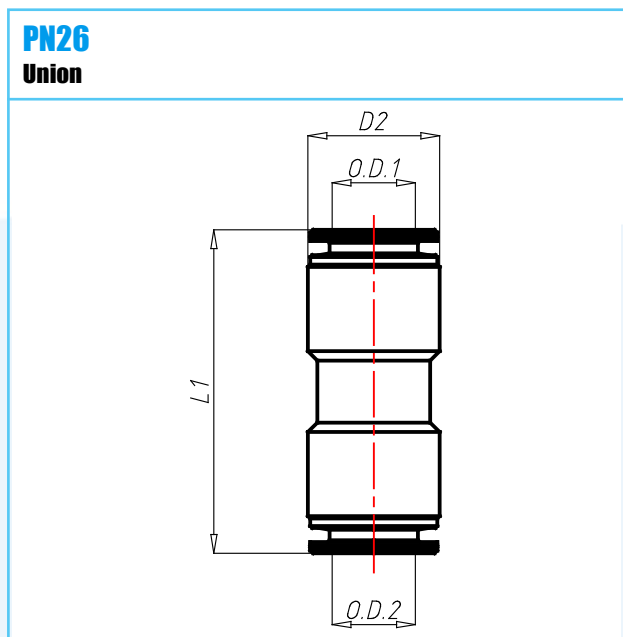


Material: Brass Nickel Plated
Working Temperature: -20 ÷ 80 C°
Working Temperature: -4 ÷ 176 F°
Working Pressure (max): 20 bar
Working Pressure (max): 290 psi
Vacuum: -99 kPa
Vacuum: 29" Hg
Conformity: Silicone Free

Conformity: RoHS
Conformity:
Conformity:
Conformity:
Application Pneumatic circuits



| CODE | TIPO | TUBE0D1 | TUBE0D2 | D2 | D2IN | L1 | L1IN | G | GOZ | WTF | WPP | TVH |
|----------|----------------|---------|---------|----|------|------|-------|-------|-------|----------|-----|-----|
| 20160000 | PN26 1/8 1/8 | 1/8 | 1/8 | 7 | .276 | 21 | .827 | 3,2 | .113 | -4 ÷ 176 | 290 | 29" |
| 20160010 | PN26 5/32 5/32 | 5/32 | 5/32 | 9 | .354 | 28 | 1.102 | 7,50 | .265 | -4 ÷ 176 | 290 | 29" |
| 20160030 | PN26 1/4 1/4 | 1/4 | 1/4 | 12 | .472 | 33,6 | 1.323 | 13,50 | .476 | -4 ÷ 176 | 290 | 29" |
| 20160040 | PN26 5/16 5/16 | 5/16 | 5/16 | 14 | .551 | 34 | 1.339 | 18,00 | .635 | -4 ÷ 176 | 290 | 29" |
| 20160050 | PN26 3/8 3/8 | 3/8 | 3/8 | 16 | .630 | 38,6 | 1.520 | 25,00 | .882 | -4 ÷ 176 | 290 | 29" |
| 20160060 | PN26 1/2 1/2 | 1/2 | 1/2 | 20 | .787 | 41 | 1.614 | 40,9 | 1.443 | -4 ÷ 176 | 290 | 29" |
| 20165030 | PN26 3/8 1/4 | 3/8 | 1/4 | 16 | .630 | 36,6 | 1.441 | - | - | -4 ÷ 176 | 290 | 29" |
| 20166050 | PN26 1/2 3/8 | 1/2 | 3/8 | 20 | .787 | 40,5 | 1.594 | - | - | -4 ÷ 176 | 290 | 29" |