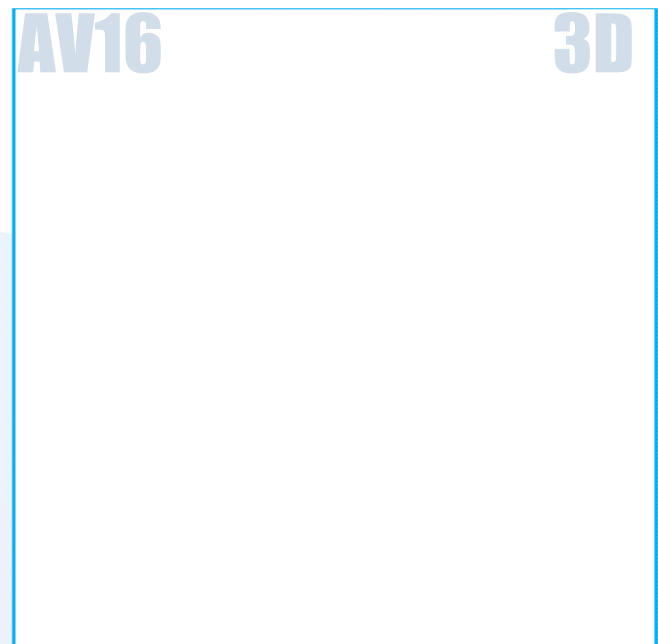
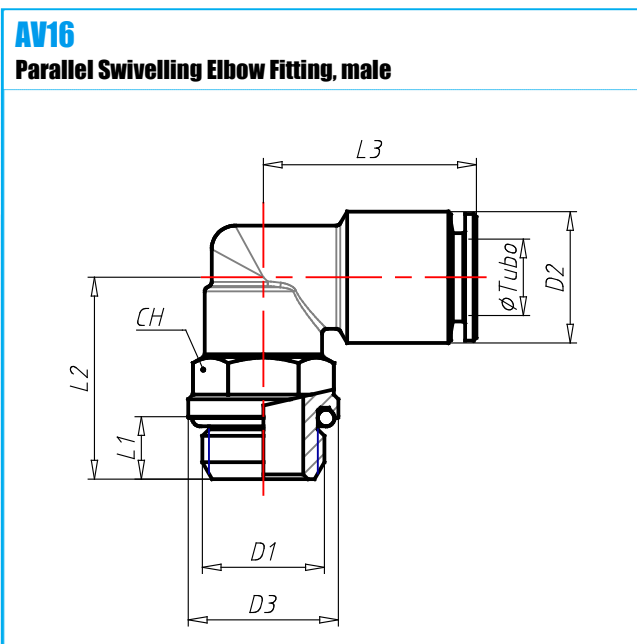


Material: Brass chemical Nickel Plated
Working Temperature: -20 ÷ 150 C°
Working Temperature: F°
Working Pressure (max): 18 bar
Working Pressure (max): psi
Vacuum: -99 kPa
Vacuum: Hg
Conformity: Silicone Free

Conformity: RoHS
Conformity:
Conformity:
Conformity:
Application Pneumatic circuits



CODE	TYPE	TUBO	D1	D2	D3	L1	L2	L3	CH	G
AV060010	AV16 04 M5	4	M5x0,8	9	10.0	4.0	14.0	17.5	9	8.8
AV060011	AV16 04 18	4	G1/8	9	14.5	5.0	18.0	19.5	13	15.7
AV060012	AV16 04 14	4	G1/4	9	16.0	6.5	21.5	19.5	13	19
AV060030	AV16 06 M5	6	M5x0,8	12	10.0	4.0	14.0	20.5	9	11.9
AV060031	AV16 06 18	6	G1/8	12	14.5	5.0	18.0	22.0	13	18.5
AV060032	AV16 06 14	6	G1/4	12	16.0	6.5	21.5	22.0	13	21.8
AV060041	AV16 08 18	8	G1/8	14	14.5	5.0	18.0	22.5	13	22
AV060042	AV16 08 14	8	G1/4	14	16.0	6.5	21.5	22.5	13	25.3
AV060043	AV16 08 38	8	G3/8	14	20.0	7.0	25.5	23.0	16	37.7
AV060052	AV16 10 14	10	G1/4	16	16.0	6.5	22.0	26.0	16	34
AV060053	AV16 10 38	10	G3/8	16	20.0	7.0	25.5	26.0	16	39.5
AV060054	AV16 10 12	10	G1/2	16	25.0	8.5	27.5	26.0	16	43.2
AV060062	AV16 12 14	12	G1/4	19	16.0	6.5	25.5	28.5	20	58.5
AV060063	AV16 12 38	12	G3/8	19	20.0	7.0	26.0	28.5	20	57
AV060064	AV16 12 12	12	G1/2	19	25.0	8.5	30.5	28.5	20	65.1