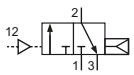


Technical details

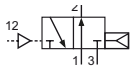
| | |
|--------------------------|---|
| Connection | BP-01: G1/8 BP-02: G1/4 |
| Nominal size | BP-01: 5 mm BP-02: 7 mm |
| Temperature range | -10°C ... +60°C |
| Medium | Filtered, oil-free and dried compressed air according to ISO 8573-1:2010, Class 7:2:4, instrument air, free of aggressive additives. Alternatively the pressure dew point must be at least 10°C below lowest occurring ambient temperature. |
| Materials | Body: Al (anodized), plastic, seals: NBR, PU, inner parts: Al, brass, plastic |



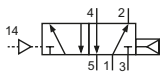
Pneumatically operated spool valve. The valve switches upon pressurization of the pilot port.

3/2- and 5/2-way valves


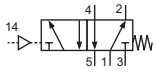
BP-01-310
BP-02-310
3/2-way, single pilot, air spring return, NC



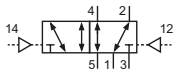
BP-01-312
BP-02-312
3/2-way, single pilot, air spring return, NO



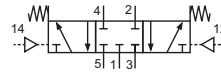
BP-01-510
BP-02-510
5/2-way, single pilot, air spring return



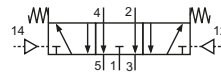
BP-01-511
BP-02-511
5/2-way, single pilot, mechanical spring return



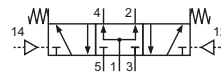
BP-01-520
BP-02-520
5/2-way, double pilot

5/3-way valves


BP-01-530
BP-02-530
5/3-way, center position closed



BP-01-533
BP-02-533
5/3-way, center position exhausted



BP-01-534
BP-02-534
5/3-way, center position pressurized

Technical data

| Model-no.: | BP-01-310 | BP-01-320 | BP-02-310 | BP-02-312 |
|---------------------------------|-------------|-------------|-------------|-------------|
| Operating pressure (bar) | -0.95 ... 8 | -0.95 ... 8 | -0.95 ... 8 | -0.95 ... 8 |
| Pilot pressure (bar) | 2 ... 8 | 2 ... 8 | 2 ... 8 | 2 ... 8 |
| Flow rate (NI/min) | 660 | 600 | 1090 | 920 |
| Weight (kg) | 0.065 | 0.066 | 0.125 | 0.125 |

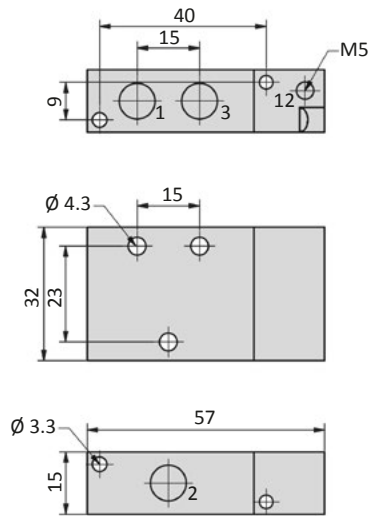
| Model-no.: | BP-01-510 | BP-01-511 | BP-01-520 | BP-01-530 | BP-01-533 | BP-01-534 |
|---------------------------------|-------------|-------------|-------------|-------------|-------------|-------------|
| Operating pressure (bar) | -0.95 ... 8 | -0.95 ... 8 | -0.95 ... 8 | -0.95 ... 8 | -0.95 ... 8 | -0.95 ... 8 |
| Pilot pressure (bar) | 2 ... 8 | 3 ... 8 | 2 ... 8 | 3 ... 8 | 3 ... 8 | 3 ... 8 |
| Flow rate (NI/min) | 780 | 800 | 790 | 690 | 670 | 1030 |
| Weight (kg) | 0.090 | 0.092 | 0.102 | 0.100 | 0.100 | 0.100 |

| Model-no.: | BP-02-510 | BP-02-511 | BP-02-520 | BP-02-530 | BP-02-533 | BP-02-534 |
|---------------------------------|-------------|-------------|-------------|-------------|-------------|-------------|
| Operating pressure (bar) | -0.95 ... 8 | -0.95 ... 8 | -0.95 ... 8 | -0.95 ... 8 | -0.95 ... 8 | -0.95 ... 8 |
| Pilot pressure (bar) | 2 ... 8 | 3 ... 8 | 2 ... 8 | 3 ... 8 | 3 ... 8 | 3 ... 8 |
| Flow rate (NI/min) | 1700 | 1600 | 1540 | 1300 | 1470 | 1660 |
| Weight (kg) | 0.185 | 0.185 | 0.210 | 0.202 | 0.202 | 0.202 |

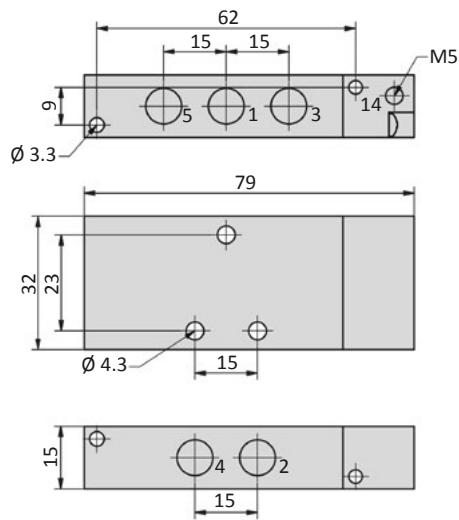
Series BP-01 and BP-02

Dimensions

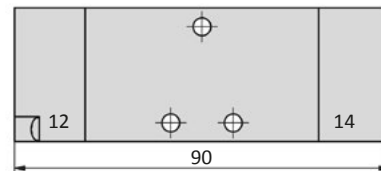
BP-01-31x



BP-01-51x



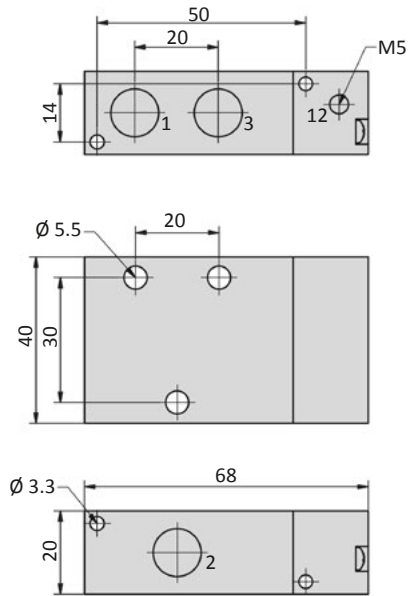
BP-01-520, BP-01-53x



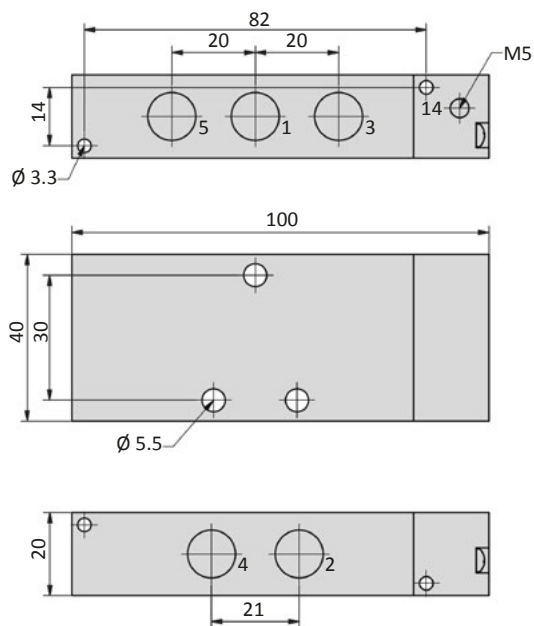
- 1 = pressure inlet
- 2,4 = outlets
- 3,5 = exhausts
- 12,14 = pilot ports

Dimensions

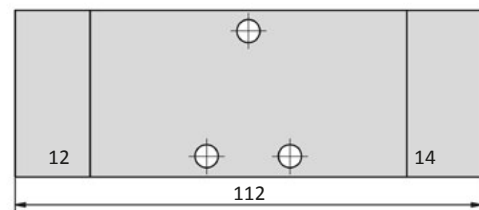
BP-02-31x



BP-02-51x



BP-02-520, BP-02-53x



- 1 = pressure inlet
- 2,4 = outlets
- 3,5 = exhausts
- 12,14 = pilot ports