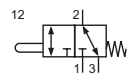


**Technical details**

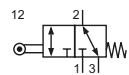
<b>Connection</b>	G1/8
<b>Nominal size</b>	4 mm
<b>Temperature range</b>	-10°C ... +70°C
<b>Medium</b>	Filtered, oil-free and dried compressed air according to ISO 8573-1:2010, Class 7:2:4, instrument air, free of aggressive additives. Alternatively the pressure dew point must be at least 10°C below lowest occurring ambient temperature.
<b>Materials</b>	Body: Al (anodized), seals: NBR, inner parts: stainless steel and brass, stem: stainless steel (E), plastic (ER, EL), roller: plastic, lever: Al (anodized), brass



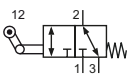
Mechanically operated spool valve.

**3/2-way-Valves**


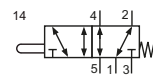
**E-18-310**  
3/2-way, mechanical spring return, stem operated



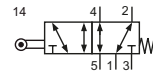
**ER-18-310**  
3/2-way, mechanical spring return, roller operated



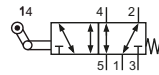
**EL-18-310**  
3/2-way, mechanical spring return, roller operated with free return

**5/2-way-Valves**


**E-18-510**  
5/2-way, mechanical spring return, stem operated



**ER-18-510**  
5/2-way, mechanical spring return, roller operated



**EL-18-510**  
5/2-way, mechanical spring return, roller operated with free return

**Technical data**

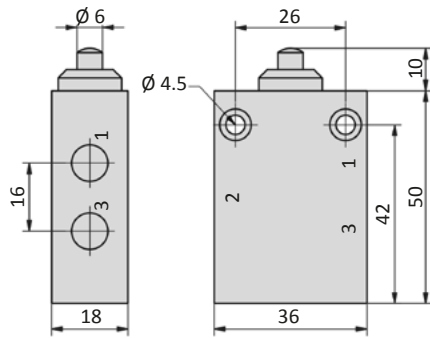
Model-no.:	E-18-310	ER-18-310	EL-18-310
<b>Operating pressure (bar)</b>	0 ... 12	0 ... 12	0 ... 12
<b>Flow rate (NI/min)</b>	320	320	320
<b>Actuating force at 6 bar (N)</b>	27	17	17
<b>Pre-stroke (mm)</b>	1.5	2.5	2.5
<b>Actuation stroke (mm)</b>	2.5	2.5	2.5
<b>Pre actuation stroke (mm)</b>	1	3.5	3.5
<b>Weight (kg)</b>	0.094	0.102	0.099

Model-no.:	E-18-510	ER-18-510	EL-18-510
<b>Operating pressure (bar)</b>	0 ... 12	0 ... 12	0 ... 12
<b>Flow rate (NI/min)</b>	320	320	320
<b>Actuating force at 6 bar (N)</b>	27	17	17
<b>Pre-stroke (mm)</b>	1.5	2.5	2.5
<b>Actuation stroke (mm)</b>	2.5	2.5	2.5
<b>Pre actuation stroke (mm)</b>	1	3.5	3.5
<b>Weight (kg)</b>	0.118	0.125	0.123

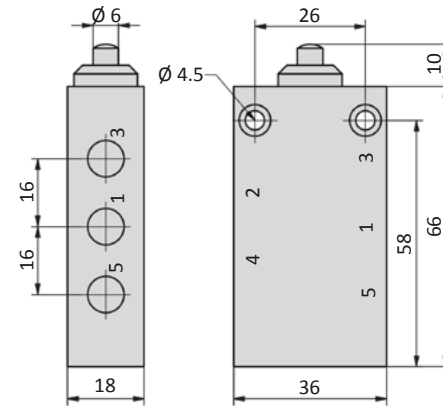
# Series E-18

## Dimensions

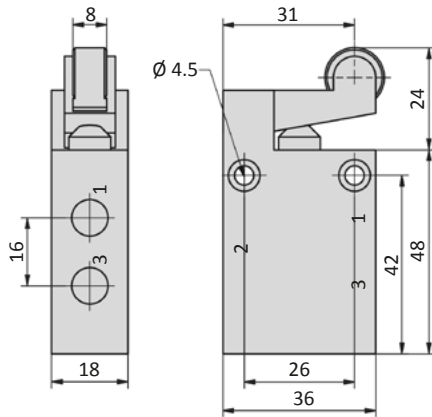
E-18-310



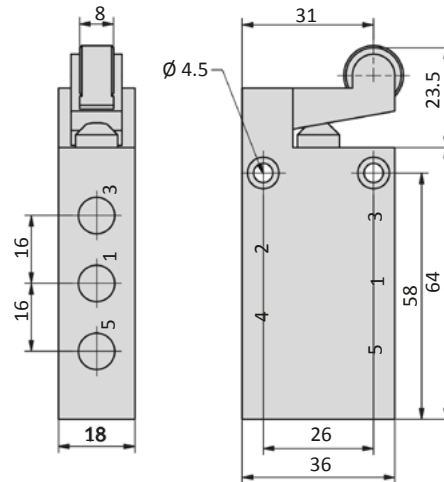
E-18-510



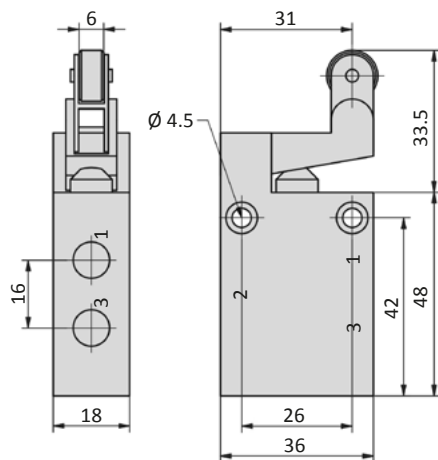
ER-18-310



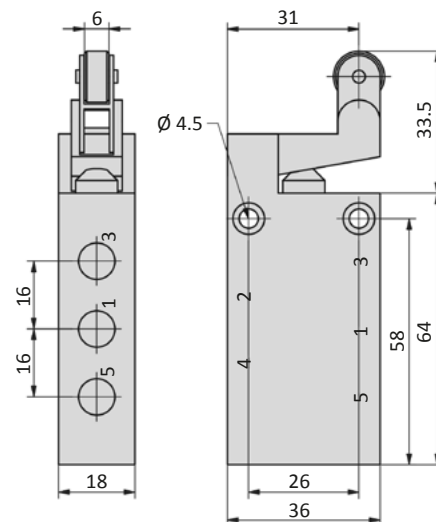
ER-18-510



EL-18-310



EL-18-510



- 1 = pressure inlet
- 2,4 = outlets
- 3,5 = exhausts