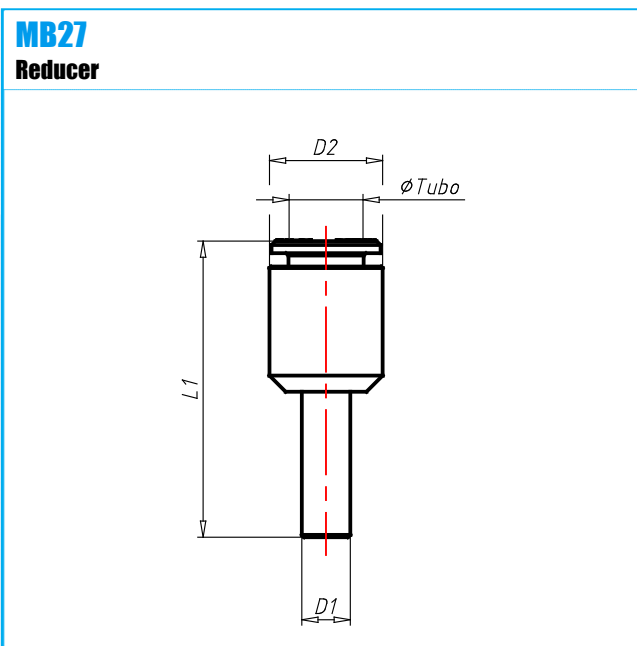


Material: Acetal Resin
Working Temperature: -20 ÷ 70 C°
Working Temperature: F°
Working Pressure (max): 16 bar
Working Pressure (max): psi
Vacuum: -99 kPa
Vacuum: Hg
Conformity: Silicone Free

Conformity: RoHS
Conformity:
Conformity:
Conformity:
Application Pneumatic circuits



CODE	TYPE	TUBO	D1	D2	L1	G
B0173010	MB27 06 04	6	4	12	34.0	2.12
B0174030	MB27 08 06	8	6	14	36.5	2.92