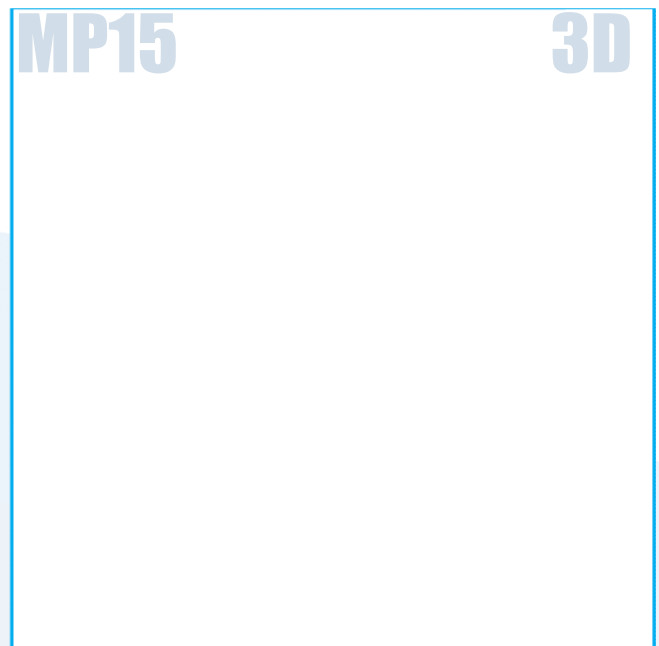
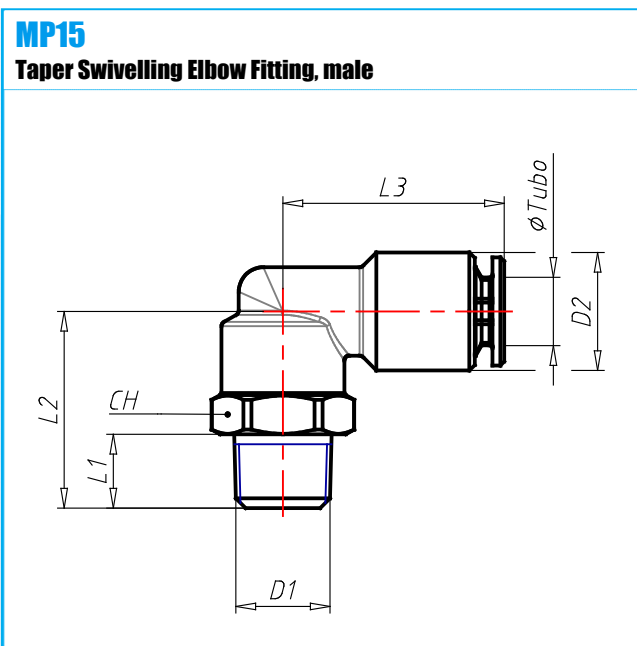


**Material:** Brass Nickel Plated  
**Working Temperature:** -20 ÷ 70 C°  
**Working Temperature:** F°  
**Working Pressure (max):** 80 bar  
**Working Pressure (max):** psi  
**Vacuum:** kPa  
**Vacuum:** Hg  
**Conformity:** RoHS

**Conformity:**  
**Conformity:**  
**Conformity:**  
**Conformity:**  
**Application** Lubrication installations



CODE	TYPE	TUBO	D1	D2	L1	G	L2	L3	CH
M0050011	MP15 04 18	4	R1/8	9	7.5	21.9	20.0	20.0	13
M0050110	MP15 04 M6x1	4	M6x1	9	8.0	19.9	20.5	20.0	13
M0050510	MP15 04 M8x1	4	M8x1	9	8.0	20.7	20.5	20.0	13
M0050610	MP15 04 M10x1	4	M10x1	9	8.0	23.4	21.5	20.0	13
M0050031	MP15 06 18	6	R1/8	12	7.5	24.2	20.0	21.5	13
M0050130	MP15 06 M6x1	6	M6x1	12	8.0	21.7	20.5	21.5	13
M0050530	MP15 06 M8x1	6	M8x1	12	8.0	22.6	20.5	21.5	13
M0050630	MP15 06 M10x1	6	M10x1	12	8.0	25.8	21.5	21.5	13
M0050041	MP15 08 18	8	R1/8	14	7.5		20.5	23.0	13
M0050042	MP15 08 14	8	R1/4	14	11.0		24.0	23.0	13
M0050640	MP15 08 M10x1	8	M10x1	14	8.0		22.0	23.0	13