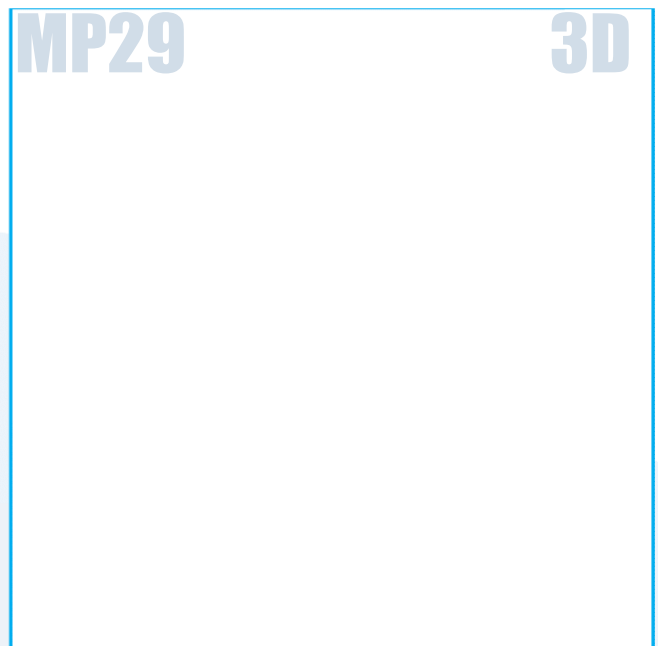
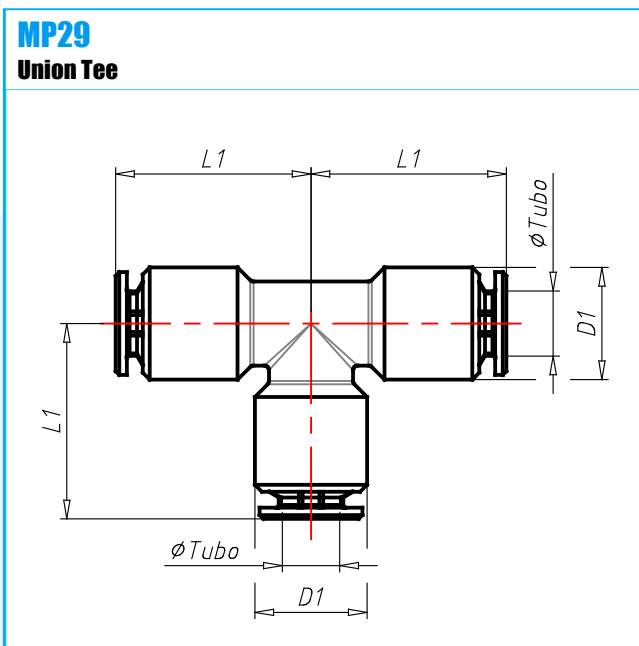


**Material:** Brass Nickel Plated  
**Working Temperature:** -20 ÷ 70 C°  
**Working Temperature:** F°  
**Working Pressure (max):** 80 bar  
**Working Pressure (max):** psi  
**Vacuum:** kPa  
**Vacuum:** Hg  
**Conformity:** RoHS

**Conformity:**  
**Conformity:**  
**Conformity:**  
**Conformity:**  
**Application** Lubrication installations



| CODE     | TYPE       | TUBO | D1 | L1 |
|----------|------------|------|----|----|
| M0191010 | MP29 04 04 | 4    | 9  | 20 |
| M0193030 | MP29 06 06 | 6    | 12 | 21 |
| M0194040 | MP29 08 08 | 8    | 14 | 22 |