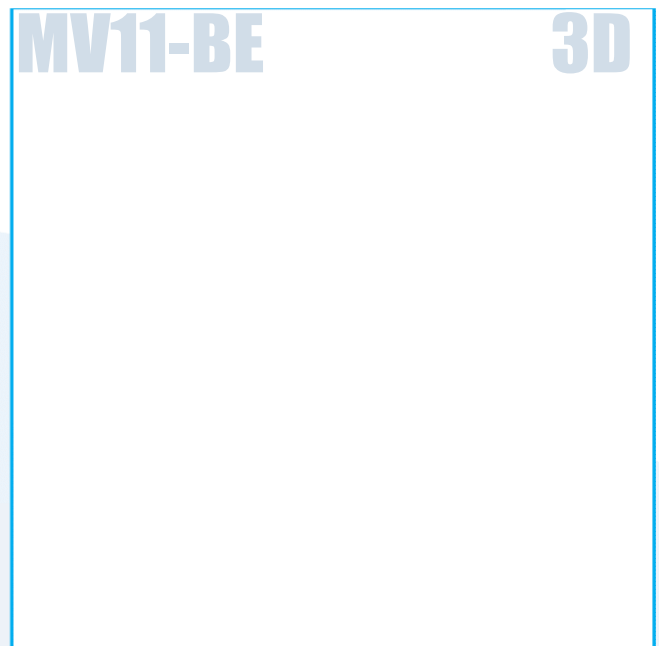
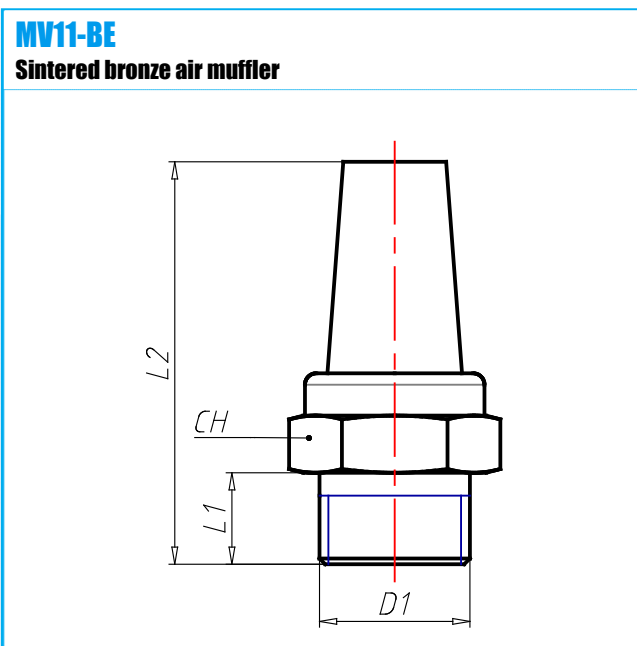


**Material:** Brass  
**Working Temperature:**  $-10 \div 70$  C°  
**Working Temperature:** F°  
**Working Pressure (max):**  $0 \div 12$  bar  
**Working Pressure (max):** psi  
**Vacuum:** kPa  
**Vacuum:** Hg  
**Conformity:**

**Conformity:**  
**Conformity:**  
**Conformity:**  
**Conformity:**  
**Application** Pneumatic installations fed with filtered, lubricated air



CODE	TIPO	D1	L1	L2	CH	G	NL	FT	CONF
04010000-BE	MV11 00 M5-BE	M5x0,8	4	17	8	2.5	-	35	RoHS
04010001-BE	MV11 00 18-BE	G1/8	6	29	13	9.0	75	35	RoHS
04010002-BE	MV11 00 14-BE	G1/4	7	32	16	16.0	81	35	RoHS
04010003-BE	MV11 00 38-BE	G3/8	8	40	19	25.0	82	35	RoHS
04010004-BE	MV11 00 12-BE	G1/2	9	45	24	47.0	85	35	RoHS