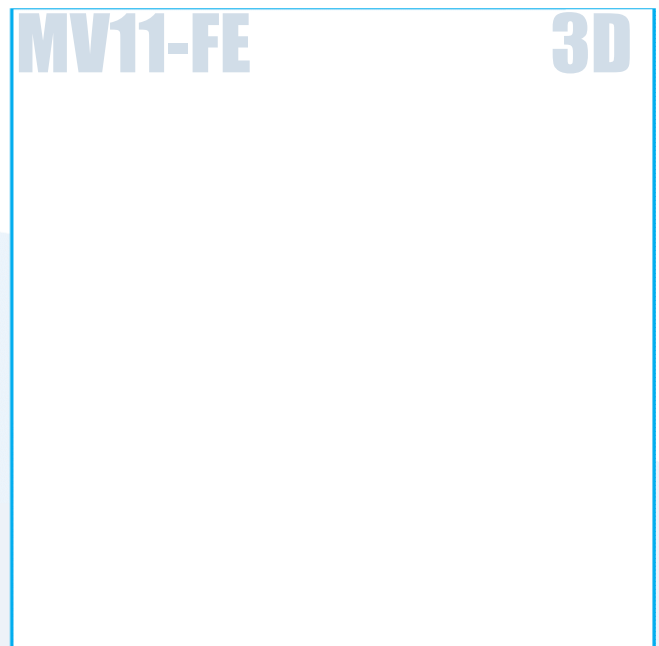
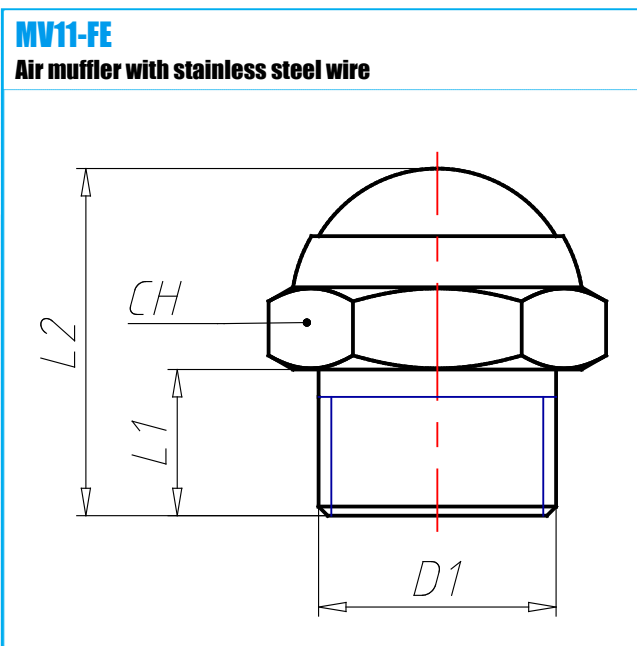


Material: Brass Nickel Plated
Working Temperature: -10 ÷ 70 C°
Working Temperature: F°
Working Pressure (max): 0 ÷ 12 bar
Working Pressure (max): psi
Vacuum: kPa
Vacuum: Hg
Conformity:

Conformity:
Conformity:
Conformity:
Conformity:
Application Pneumatic installations fed with filtered, lubricated air



CODE	TIPO	D1	L1	L2	CH	G	NL	FT	CONF
04010001-FE	MV11 00 18-FE	G1/8	6	15	13	6	74	100-200	RoHS
04010002-FE	MV11 00 14-FE	G1/4	7	18	16	10	72	100-200	RoHS
04010003-FE	MV11 00 38-FE	G3/8	8	20	19	16	88	100-200	RoHS
04010004-FE	MV11 00 12-FE	G1/2	10	22	24	25	90	100-200	RoHS