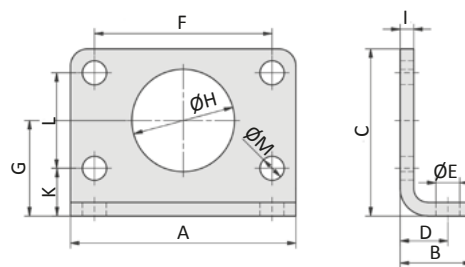
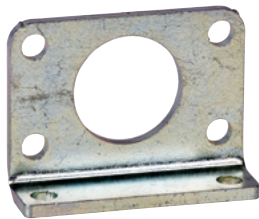


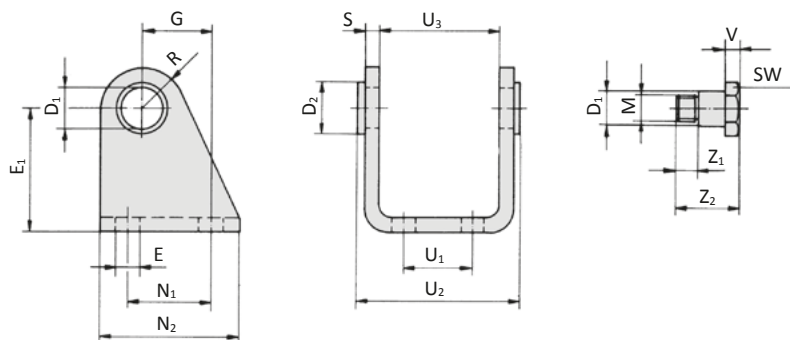
RA-xx Foot mount



Model-no.:	A	B	C	D	Ø E	F	G	Ø H	I	K	L	Ø M
RA-32	66	21	49	14	7	52	28	30	4	14	28	7
RA-40	80	30	58	20	9	60	33	38	5	18	30	9
RA-50	90	30	70	20	9	70	40	45	6	20	40	9
RA-63	96	30	80	20	9	76	45	45	6	20	50	9

Material: steel, zinc plated

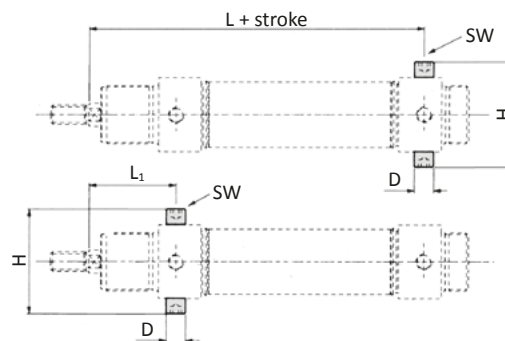
RC-xx Clevis mount



Model-no.:	D ₁	D ₂	E	E ₁	G	M	N ₁	N ₂	R	S	U ₁	U ₂	U ₃	V	Z ₁	Z ₁	SW
RC-32	10	15	7	35	20	M8 x 1	24	40	12	4	20	50,1	38,1	4	6	18	13
RC-40	12	20	9	40	27	M10 x 1	30	50	13	5	28	60,1	46,1	5	7	21,6	17
RC-50	14	23	9	45	30	M12 x 1,5	34	54	14	6	36	74,1	57,1	6	9	26,4	19
RC-63	16	23	9	50	34	M14 x 1,5	35	65	16	6	42	88,1	70,1	6	16	35	19

Material: steel, zinc plated; 2 screws are included.

RG-xx Threaded bolts



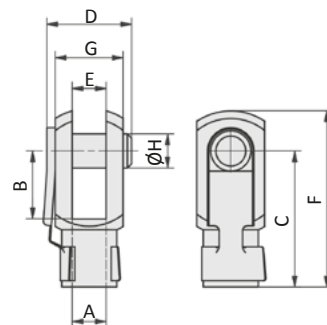
Model-no.:	D	H	L	L ₁	SW
RG-32	10	51	125	47	5
RG-40	12	61	146	57	6
RG-50	14	75	158	62	6
RG-63	16	90	162	64	8

Material: steel, zinc plated

Series HM

Mounting accessories

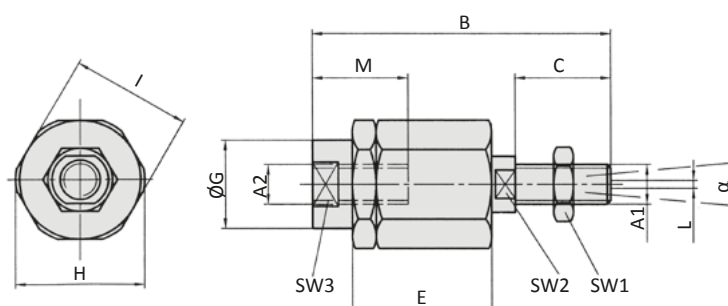
RD-xx Rod clevis



Model-no.:	for cylinder \varnothing	A	B	C	D	E	F	G	$\varnothing H$
RD-32	32	M10	20	40	26	10	52	20	10
RD-40	40	M12	24	48	32	12	62	24	12
RD-63	50, 63	M16	32	64	36	16	83	32	16

Material: steel, zinc plated

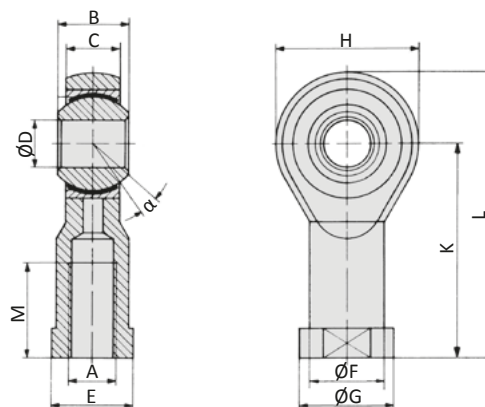
FK-xx Flexible coupling



Model-no.:	for cylinder \varnothing	A1, A2	B	C	D	E	$\varnothing G$	H	I	L	M	SW1	SW2	SW3	α
FK-33	32	M10	71,5	20	7,5	35	22	32	30	2	22	12	19	17	8°
FK-41	40	M12	75,5	24	7,5	35	22	32	30	2	22	12	20	19	9°

Material: steel, zinc plated

RO-xx Rod eye



Model-no.:	for cylinder \varnothing	A	B	C	$\varnothing D$	E	$\varnothing F$	$\varnothing G$	H	K	L	M	α
RO-32	32	M10	14	10,5	10	17	15	19	28	43	57	20	13°
RO-40	40	M12	16	12	12	19	17,5	22	32	50	66	22	13°
RO-50	50, 63	M16	21	15	16	22	22	27	42	64	85	28	15°

Materials: steel, zinc plated, bearing steel, bronze bushing