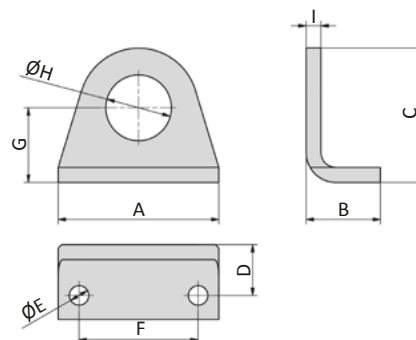


Series HM

Mounting accessories

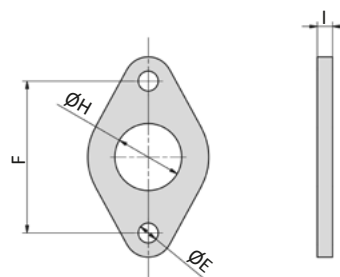
RA-xx Foot mount



Model-no.:	for cylinder \varnothing	A	B	C	D	$\varnothing E$	F	G	$\varnothing H$	I
RA-10	8, 10	35	16	26	11	4.5	25	16	12	3
RA-16	12, 16	42	20	32.5	14	5.5	32	20	16	4
RA-25	20, 25	54	25	45	17	6.6	40	25	22	5

material: steel, zinc plated

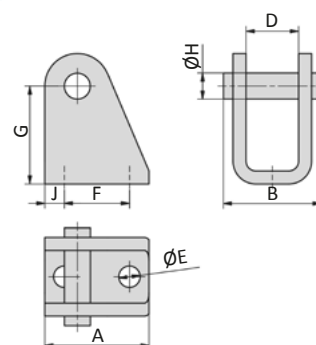
RB-xx Flange mount



Model-no.:	for cylinder \varnothing	$\varnothing E$	F	$\varnothing H$	I
RB-10	8, 10	4.5	30	12	3
RB-16	12, 16	5.5	40	16	4
RB-25	20, 25	6.6	50	22	5

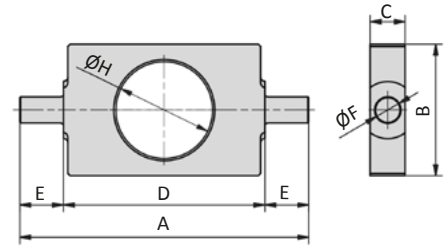
material: steel, zinc plated

RC-xx Clevis mount



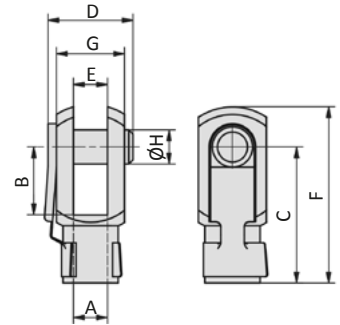
Model-no.:	for cylinder \varnothing	A	B	D	$\varnothing E$	F	G	$\varnothing H$	J
RC-10	8, 10	20	17	8.1	4.5	12.5	24	4	5
RC-16	12, 16	25	23	12.1	5.5	15	27	6	5
RC-30	20, 25	32	30	16.1	6.6	20	30	8	6

material: steel, zinc plated, 2 snap rings are included

RH-xx Trunnion mount


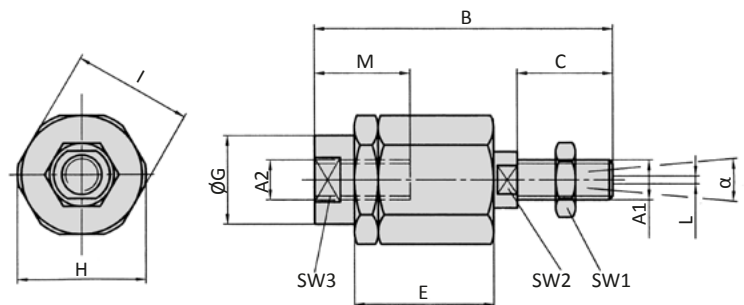
Model-no.:	for cylinder Ø	A	B	C	D	E	Ø F	Ø H
RH-10	8, 10	38	20	6	26	6	4	12
RH-16	12, 16	58	25	8	38	10	6	16
RH-25	20, 25	66	30	8	46	10	6	22

material: steel, zinc plated

RD-xx Rod clevis


Model-no.:	for cylinder Ø	A	B	C	D	E	F	G	Ø H
RD-10	8, 10	M4	8	16	11.5	4	21	8	4
RD-16	12, 16	M6	12	24	16	6	31	12	6
RD-20	20	M8	16	32	22	8	42	16	8
RD-25	25	M10 x 1.25	20	40	26	10	52	20	10

material: steel, zinc plated

FK-xx Flexible coupling


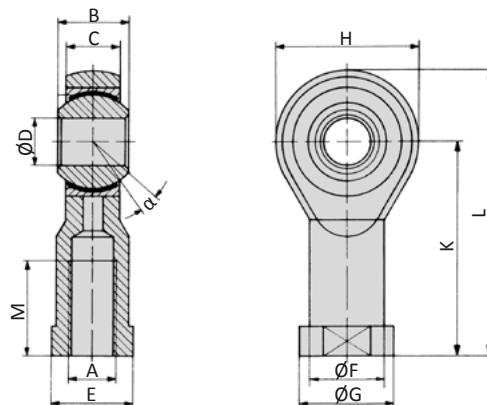
Model-no.:	for cylinder Ø	A1, A2	B	C	D	E	Ø G	H	I	L	M	SW1	SW2	SW3	α
FK-16	12, 16	M6	35	11	2.5	17.5	8.5	14.5	13	1	12.5	10	5	7	6°
FK-20	20	M8	57	21	5	26	12.5	19	17	2	16	13	7	11	8°
FK-32	25	M10 x 1.25	71.5	20	7.5	35	22	32	30	2	22	17	12	19	8°

material: steel, zinc plated

Series HM

Mounting accessories

RO-xx Rod eye



Model-no.:	for cylinder \varnothing	A	B	C	$\varnothing D$	E	$\varnothing F$	$\varnothing G$	H	K	L	M	α
RO-16	12, 16	M6	9	6.75	6	11	10	13	20	30	40	12	13°
RO-20	20	M8	12	9	8	14	12.5	16	24	36	48	16	14°
RO-25	25	M10 x 1.25	14	10.5	10	17	15	19	28	43	57	20	13°

materials: steel, zinc plated, bearing steel, bronze bushing