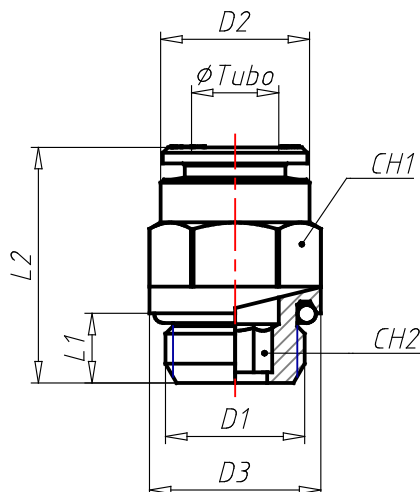


Material:	Brass Nickel Plated	
Working Temperature:	-20 ÷ 80	C°
Working Temperature:	-4 ÷ 176	F°
Working Pressure (max):	20	bar
Working Pressure (max):	290	psi
Vacuum:	-99	kPa
Vacuum:	29"	Hg
Conformity:	Silicone Free	

Conformity:	RoHS
Conformity:	
Conformity:	
Conformity:	
Application	Pneumatic circuits

AP12
Parallel Straight, male



AP12 **3D**

CODE	TYPE	TUBO	D1	D2	D3	L1	L2	CH1	CH2	G
AP020010	AP12 04 M5	4	M5x0,8	9	8.0	4.0	19.0	-	2.5	4.6
AP020011	AP12 04 18	4	G1/8	9	13.0	5.0	16.5	9	3.0	6.0
AP020030	AP12 06 M5	6	M5x0,8	12	8.0	4.0	22.0	-	2.5	8.6
AP020031	AP12 06 18	6	G1/8	12	13.5	5.0	19.5	12	4.0	9.0
AP020032	AP12 06 14	6	G1/4	12	16.0	6.5	19.5	12	4.0	12.7
AP020041	AP12 08 18	8	G1/8	14	13.0	5.0	23.5	13	6.0	11.5
AP020042	AP12 08 14	8	G1/4	14	16.0	6.5	21.5	14	6.0	13.5
AP020043	AP12 08 38	8	G3/8	14	20.0	7.0	21.0	14	6.0	20.1
AP020052	AP12 10 14	10	G1/4	16	16.0	6.5	27.5	15	8.0	17.4
AP020053	AP12 10 38	10	G3/8	16	20.0	7.0	25.0	16	8.0	22.6
AP020054	AP12 10 12	10	G1/2	16	25.0	8.5	25.5	16	8.0	34.5
AP020062	AP12 12 14	12	G1/4	19	16.0	6.5	28.5	19	8.0	26.2
AP020063	AP12 12 38	12	G3/8	19	20.0	7.0	28.5	19	10.0	29.0
AP020064	AP12 12 12	12	G1/2	19	25.0	8.5	26.5	19	10.0	36.1
AP020430	AP12 06 M12x1,5	6	M12x1,5	12	15.0	6.5	21.0	12	4.0	12.9