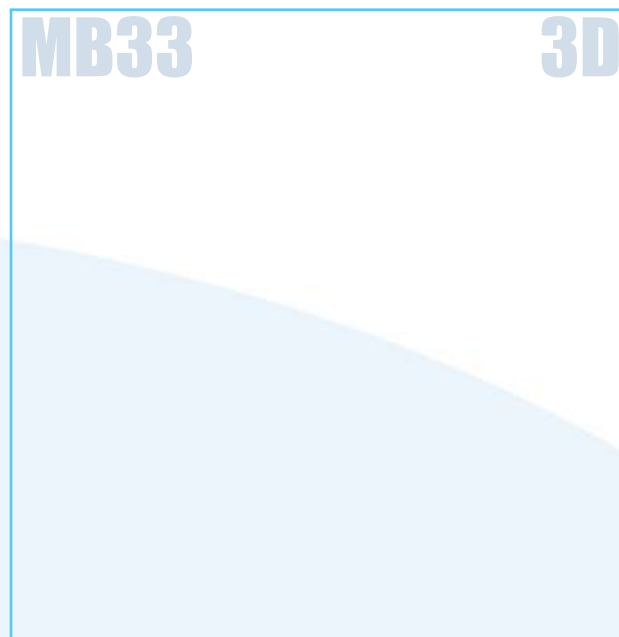
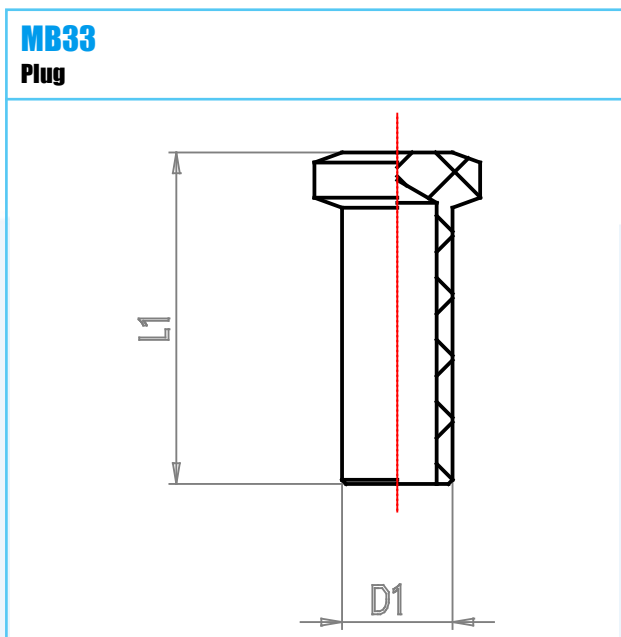


**Material:** Acetal Resin  
**Working Temperature:** -20 ÷ 70 C°  
**Working Temperature:** -4 ÷ 158 F°  
**Working Pressure (max):** 18 bar  
**Working Pressure (max):** 261 psi  
**Vacuum:** -99 kPa  
**Vacuum:** Hg  
**Conformity:** Silicone Free

**Conformity:** RoHS  
**Conformity:**  
**Conformity:**  
**Conformity:**  
**Application** Pneumatic circuits



CODE	TYPE	D1	D1IN	L1	L1IN	G	OZ	WTF	WPP
B0230010	MB33 04 00	4	.157	18	.709	0.3	.011	-4 ÷ 158	261
B0230030	MB33 06 00	6	.236	22	.866	0.9	.032	-4 ÷ 158	261
B0230040	MB33 08 00	8	.315	24	.945	1.3	.046	-4 ÷ 158	261
B0230050	MB33 10 00	10	.394	26	1.024	2	.071	-4 ÷ 158	261
B0230060	MB33 12 00	12	.472	40	1.575	3.3	.116	-4 ÷ 158	261
B0230070	MB33 14 00	14	.551	40	1.575	4.2	.148	-4 ÷ 158	261