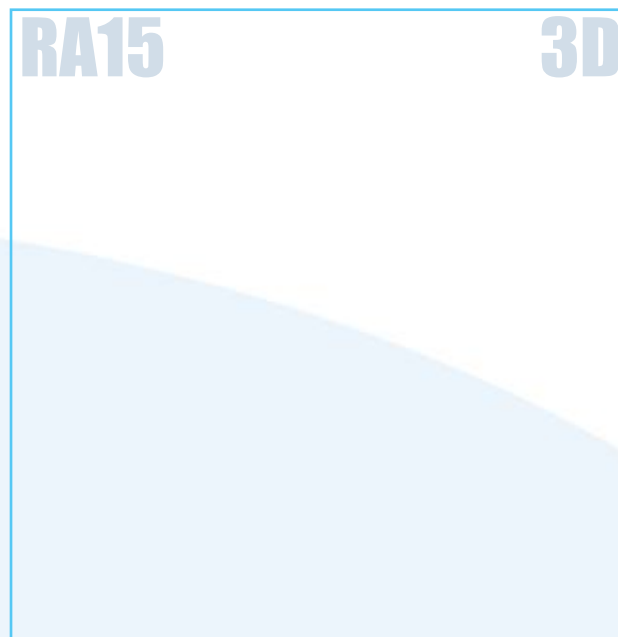
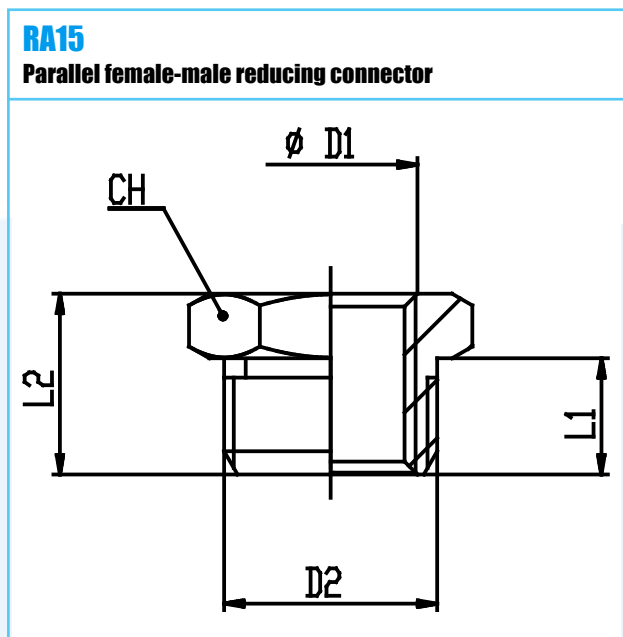


Material: Brass Nickel Plated
Working Temperature: -40 ÷ 150 C°
Working Temperature: -40 ÷ 302 F°
Working Pressure (max): 60 bar
Working Pressure (max): 870 psi
Vacuum: kPa
Vacuum: Hg
Conformity: RoHS

Conformity:
Conformity:
Conformity:
Conformity:
Application Pneumatic, hydraulic and oleodynamic circuits



CODE	TYPE	D1	D2	L1	L1IN	L2	L2IN	CH	G	OZ	WTF	WPP
5050001	RA15 M5 18	M5x0,8	G1/8	6.0	.236	10.5	.413	14	8	.282	-40 ÷ 302	870
5050102	RA15 18 14	G1/8	G1/4	8.0	.315	13.0	.512	17	10.5	.370	-40 ÷ 302	870
5050103	RA15 18 38	G1/8	G3/8	9.0	.354	14.0	.551	19	19.3	.681	-40 ÷ 302	870
5050104	RA15 18 12	G1/8	G1/2	10.0	.394	15.5	.610	24	30.7	1.083	-40 ÷ 302	870
5050203	RA15 14 38	G1/4	G3/8	9.0	.354	14.0	.551	19	12.8	.452	-40 ÷ 302	870
5050204	RA15 14 12	G1/4	G1/2	10.0	.394	15.5	.610	24	28.5	1.005	-40 ÷ 302	870
5050304	RA15 38 12	G3/8	G1/2	10.0	.394	15.5	.610	24	22	.776	-40 ÷ 302	870
5050305	RA15 38 34	G3/8	G3/4	11.0	.433	17.5	.689	30	-	-	-40 ÷ 302	870
5050405	RA15 12 34	G1/2	G3/4	11.0	.433	17.5	.689	30	36	1.270	-40 ÷ 302	870
5050506	RA15 34 1	G3/4	G1"	11.5	.453	18.5	.728	36	60.3	2.127	-40 ÷ 302	870