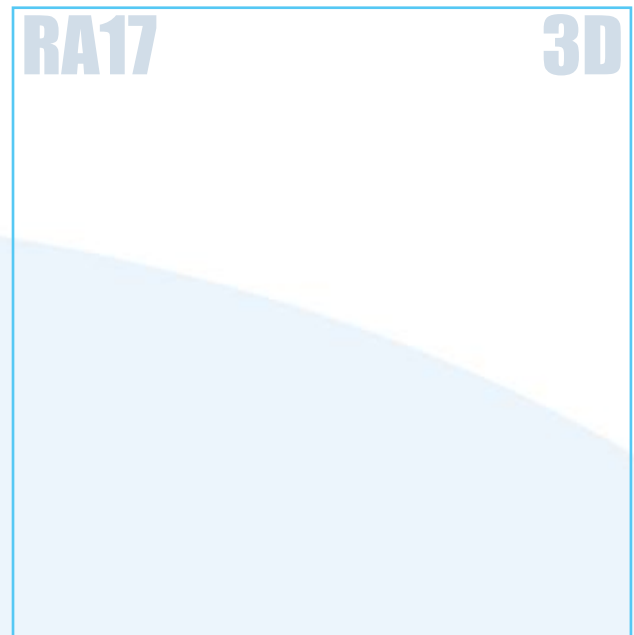
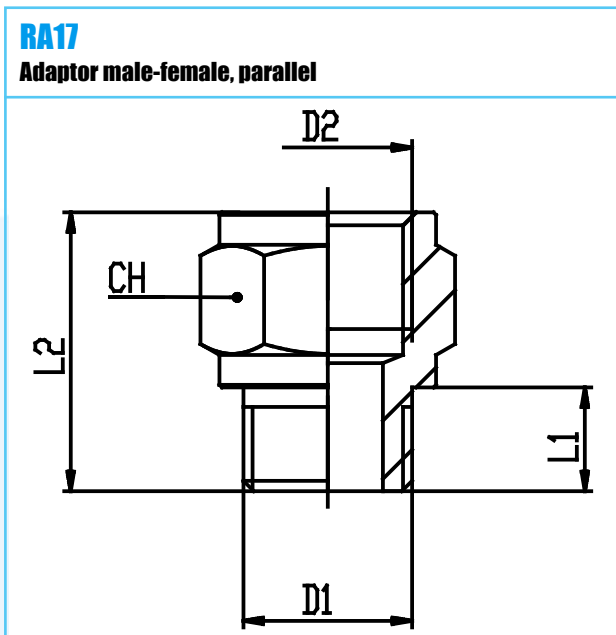


**Material:** Brass Nickel Plated  
**Working Temperature:** -40 ÷ 150 C°  
**Working Temperature:** -40 ÷ 302 F°  
**Working Pressure (max):** 60 bar  
**Working Pressure (max):** 870 psi  
**Vacuum:** kPa  
**Vacuum:** Hg  
**Conformity:** RoHS

**Conformity:**  
**Conformity:**  
**Conformity:**  
**Conformity:**  
**Application** Pneumatic, hydraulic and oleodynamic circuits



CODE	TYPE	D1	D2	L1	L1IN	L2	L2IN	CH	G	OZ	WTF	WPP
5070001	RA17 M5 18	M5x0,8	G1/8	4	.157	14.5	.571	14	7.0	.247	-40 ÷ 302	870
5070101	RA17 18 18	G1/8	G1/8	6	.236	16.5	.650	14	10.7	.377	-40 ÷ 302	870
5070102	RA17 18 14	G1/8	G1/4	6	.236	19.5	.768	17	17.0	.600	-40 ÷ 302	870
5070103	RA17 18 38	G1/8	G3/8	6	.236	20.5	.807	22	29.5	1.041	-40 ÷ 302	870
5070202	RA17 14 14	G1/4	G1/4	8	.315	21.5	.846	17	19.0	.670	-40 ÷ 302	870
5070203	RA17 14 38	G1/4	G3/8	8	.315	22.5	.886	22	32.0	1.129	-40 ÷ 302	870
5070204	RA17 14 12	G1/4	G1/2	8	.315	26.0	1.024	24	37.0	1.305	-40 ÷ 302	870
5070303	RA17 38 38	G3/8	G3/8	9	.354	23.5	.925	22	36.0	1.270	-40 ÷ 302	870
5070304	RA17 38 12	G3/8	G1/2	9	.354	27.0	1.063	24	37.0	1.305	-40 ÷ 302	870
5070404	RA17 12 12	G1/2	G1/2	10	.394	28.0	1.102	26	52.5	1.852	-40 ÷ 302	870