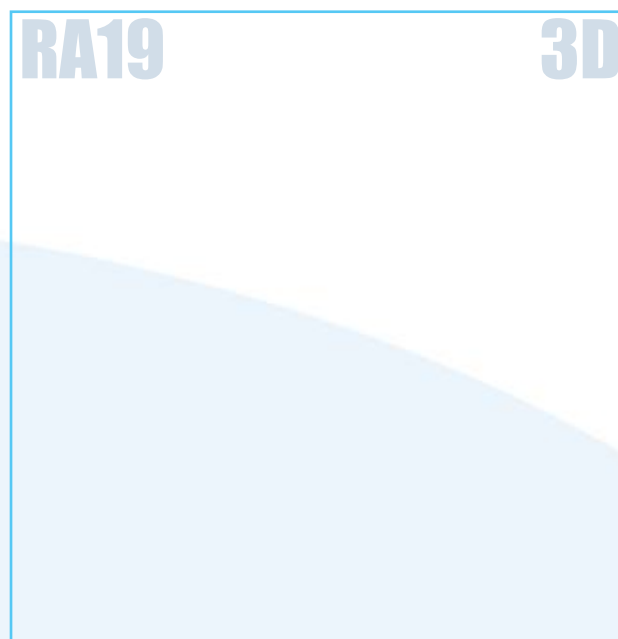
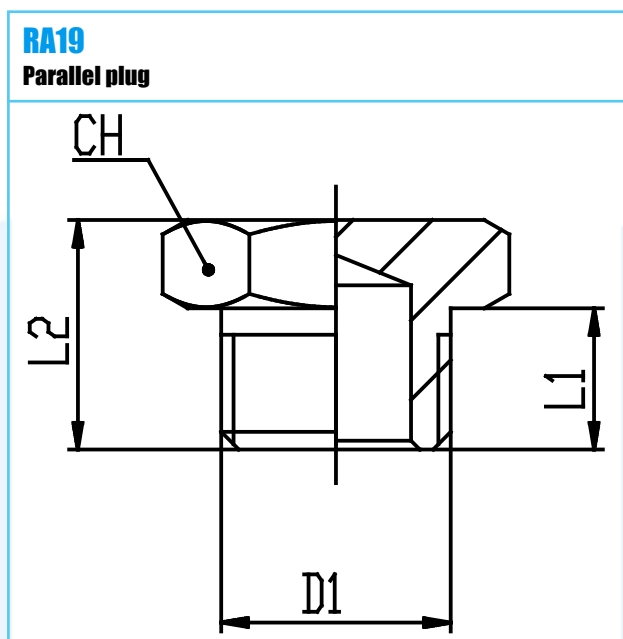


Material: Brass Nickel Plated
Working Temperature: -40 ÷ 150 C°
Working Temperature: -40 ÷ 302 F°
Working Pressure (max): 60 bar
Working Pressure (max): 870 psi
Vacuum: kPa
Vacuum: Hg
Conformity: RoHS

Conformity:
Conformity:
Conformity:
Conformity:
Application Pneumatic, hydraulic and oleodynamic circuits



CODE	TYPE	D1	L1	L1IN	L2	L2IN	CH	G	OZ	WTF	WPP
05090000	RA19 00 M5	M5x0,8	4	.157	7.0	.276	8	2	.071	-40 ÷ 302	870
05090001	RA19 00 18	G1/8	6	.236	10.0	.394	14	7.5	.265	-40 ÷ 302	870
05090002	RA19 00 14	G1/4	8	.315	12.5	.492	17	13.9	.490	-40 ÷ 302	870
05090003	RA19 00 38	G3/8	9	.354	13.5	.531	19	18	.635	-40 ÷ 302	870
05090004	RA19 00 12	G1/2	10	.394	15.5	.610	24	31	1.093	-40 ÷ 302	870
05090005	RA19 00 34	G3/4	11	.433	16.5	.650	30	-	-	-40 ÷ 302	870
05090006	RA19 00 1	G1"	13	.512	19.0	.748	38	-	-	-40 ÷ 302	870