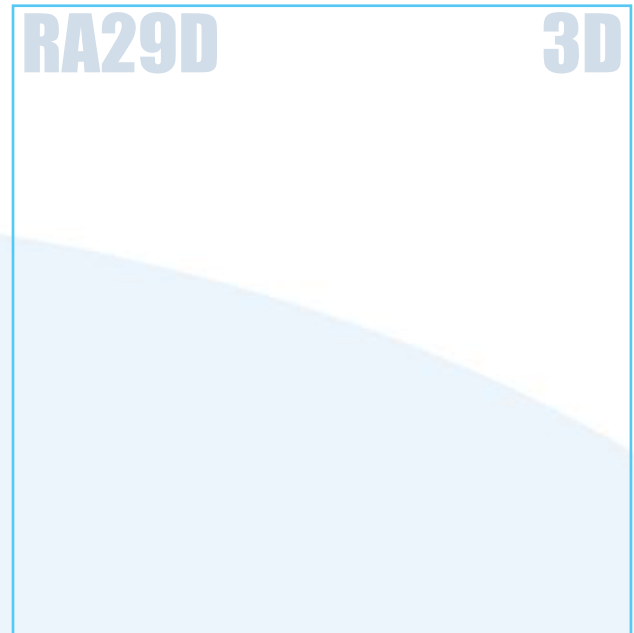
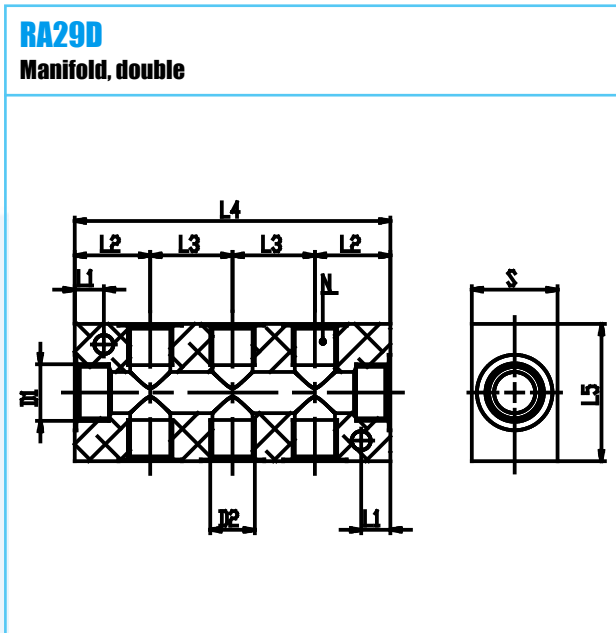


Material: Aluminium
Working Temperature: -40 ÷ 150 C°
Working Temperature: -40 ÷ 302 F°
Working Pressure (max): 60 bar
Working Pressure (max): 870 psi
Vacuum: kPa
Vacuum: Hg
Conformity: RoHS

Conformity:
Conformity:
Conformity:
Conformity:
Application Pneumatic, hydraulic and oleodynamic circuits



CODE	TYPE	D1	D2	N	L1	L1IN	L2	L2IN	L3	L3IN	L4	L4IN	L5	L5IN	S	SIN	G	OZ	WTF	WPP
05190201-D3	RA29 14	G1/4	G1/8	3+3	4.5	.177	18	.709	18	.709	72	2.835	30	1.181	20	.787	85.7	3.023	-40 ÷ 302	870
	18 D3																			
05190201-D4	RA29 14	G1/4	G1/8	4+4	4.5	.177	18	.709	18	.709	90	3.543	30	1.181	20	.787	107.6	3.795	-40 ÷ 302	870
	18 D4																			
05190201-D5	RA29 14	G1/4	G1/8	5+5	4.5	.177	18	.709	18	.709	108	4.252	30	1.181	20	.787	129.1	4.554	-40 ÷ 302	870
	18 D5																			
05190302-D3	RA29 38	G3/8	G1/4	3+3	8.5	.335	22	.866	24	.945	92	3.622	40	1.575	25	.984	179.4	6.328	-40 ÷ 302	870
	14 D3																			
05190302-D4	RA29 38	G3/8	G1/4	4+4	8.5	.335	22	.866	24	.945	116	4.567	40	1.575	25	.984	226.1	7.975	-40 ÷ 302	870
	14 D4																			
05190302-D5	RA29 38	G3/8	G1/4	5+5	8.5	.335	22	.866	24	.945	140	5.512	40	1.575	25	.984	274.1	9.669	-40 ÷ 302	870
	14 D5																			

